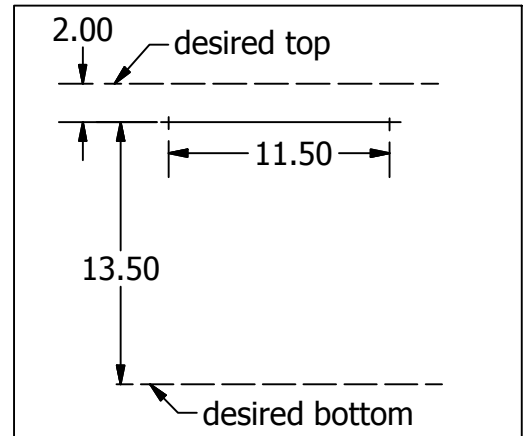
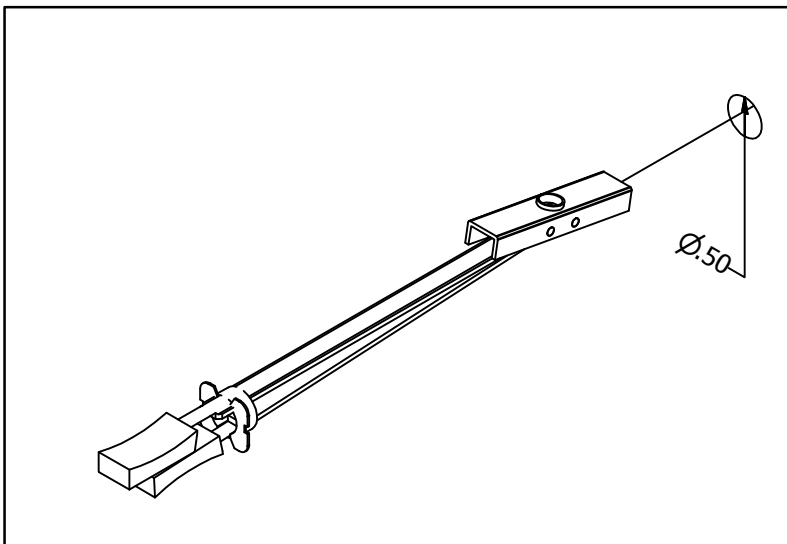


# Mounting a Riff System Cube with Zip-Toggles

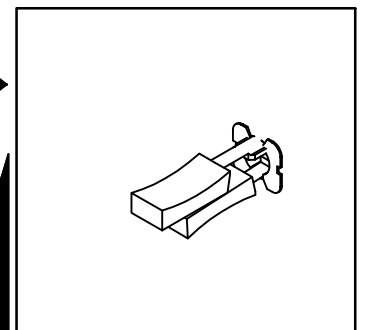
To prepare a cube for wall mount using zip toggles, begin by drawing a level line 2" below the desired top or 13 1/2" above the desired bottom of your cube and make two tic marks 11 1/2" apart on the level line. Before proceeding, drill two small exploratory holes at your tic marks (1/16" or less) to be sure that your hole locations will not hit a stud. Follow the next few steps to place Zip-Toggles in the wall.



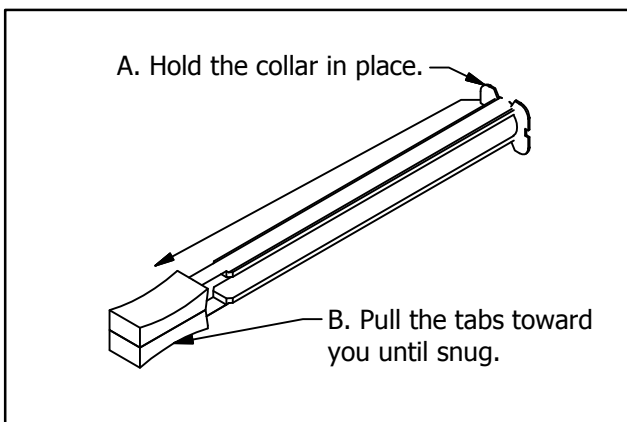
1. Drill a 1/2" hole as accurately as possible at each of your pencil marks.



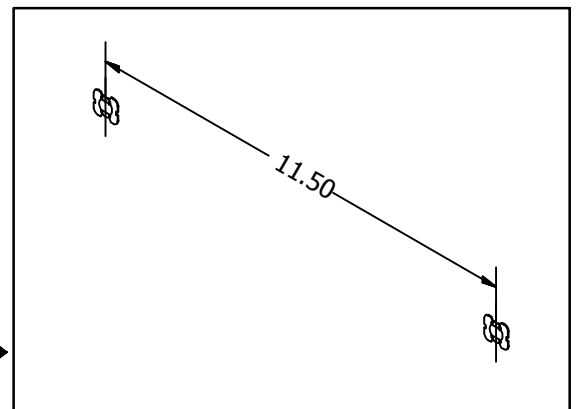
2. Insert a Zip-Toggle into each hole as illustrated.



3. Make sure the collar of each Zip-Toggle is snug in each hole.



4. Carefully and slowly pull the Zip-Toggle towards you keeping the collar in the hole until the toggle is engaged.

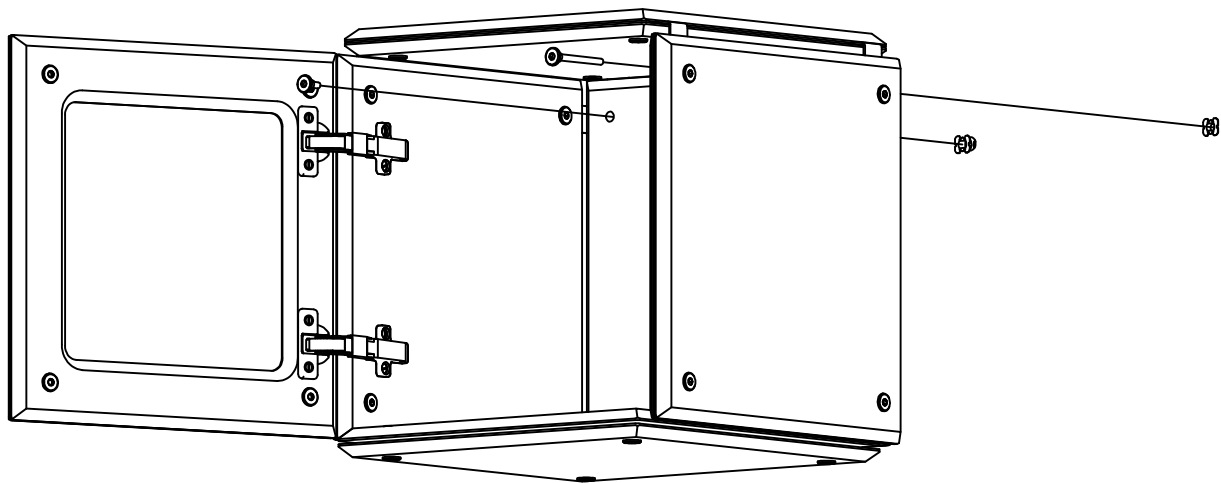
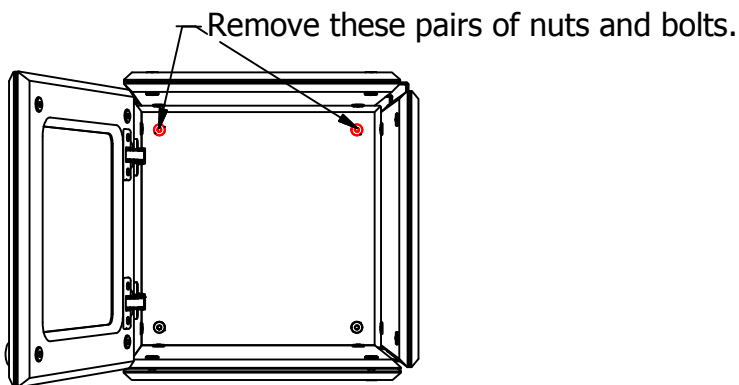


5. Break the tabs off at the wall. You now have two toggles spaced 11 1/2" apart ready to mount your cube.

# Mounting a Riff System Cube with Zip-Toggles

To fasten a cube to the wall using the zip toggles you located in the previous step first remove the top pair of nuts and bolts from the back sandwich of your cube. Don't worry, there are plenty of other nuts and bolts holding the cube together, you can handle the cube normally.

**The next step will likely require help so find a friend and ask them to either lift the cube or locate the bolts in the zip-toggles.**



With a partner, line up the empty holes in the back of the cabinet with the zip-toggles on the wall. Carefully thread the long shoulder bolts into the holes one at a time. The bolts should thread easily and by hand. If they do not try to reposition the cube until they do being careful not to crossthread the bolts. Once the bolts are finger tight, apply moderate pressure with an allen wrench to snug the cube to the wall. Each zip toggle is rated up to 250 lbs. in 1/2" drywall, so load your cube up with books, nick-nacks, collectables or treasures!

