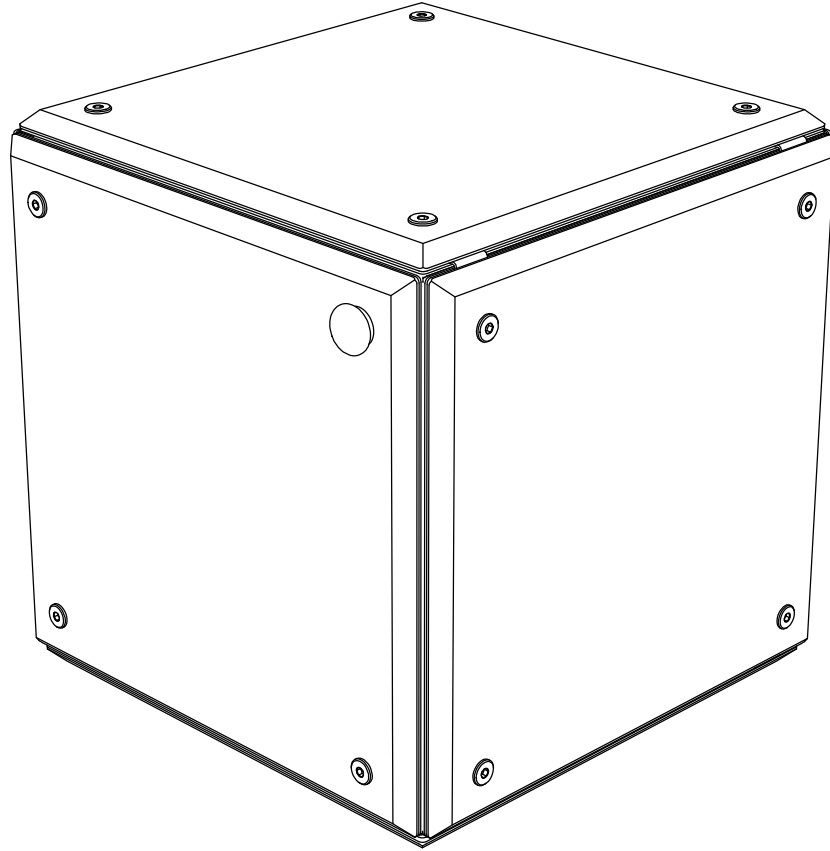


Riff System by Drift Studio

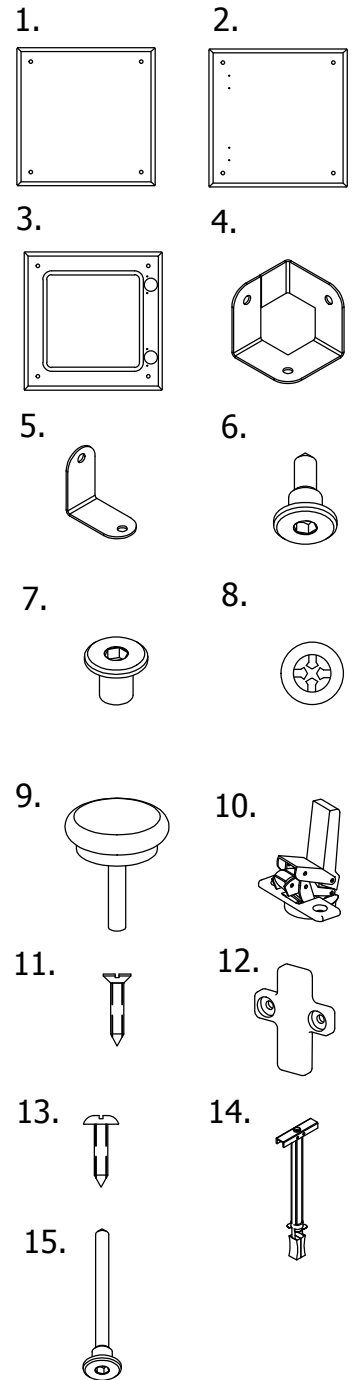
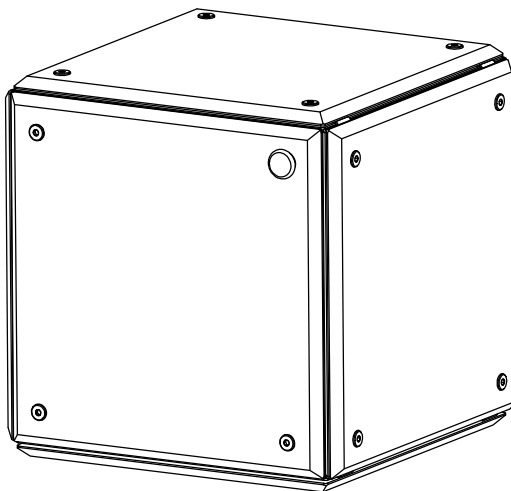


Wall Cube (with door)

Assembly Instructions

Wall Cube (with door)

PARTS LIST		
ITEM	QTY	PART NUMBER
1	10	15 in. panel
2	1	15 in. Panel w/ hinge pilot holes
3	1	15 in. window panel w/ hinge mortises
4	4	3-Hole Bracket
5	4	L-Bracket
6	21	Shoulder Bolt
7	22	Barrel Nut
8	4	Nylon Spacer Washer
9	1	Door Pull
10	2	Salice Hinge
11	4	#6 x 1/2" conunter sink screw for Salice Hinge
12	2	Salice Hinge Flat Mount
13	4	#6 x 1/2" pan head screw for Salice Hinge
14	2	ZT-Toggle
15	2	Shoulder Bolt - Long



Riff System by Drift Studio

Questions? Email: info@driftstudio.com

Riff Basics: This is a Riff System Cube...

It is constructed from sandwiches which are assembled from panels, brackets, nuts and bolts (Fig. A). Riff system sandwiches can be configured in countless ways by following a few simple rules:

1st...

Brackets (and legs) are always sandwiched between two panels (Fig. A)

2nd...

All holes in Riff System panels eventually receive a bolt and nut. This is how multiple sandwiches are fastened together.

3rd...

Panels are always oriented back-to-back with the finished sides out so the bevels on each edge form a point. (Fig. B)
Sandwiches that are perpendicular to one another meet at the bevels. (Fig. C)



Fig. A

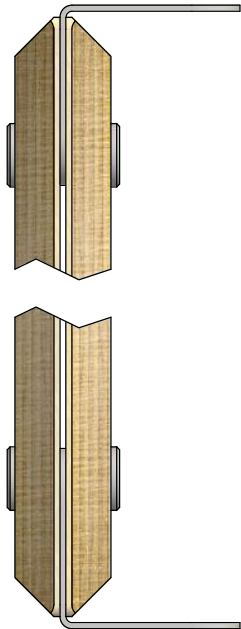


Fig. B

Finally...

Printed Riff System Panels can be mixed and matched, moved, arranged and rearranged. With countless configurations and combinations of graphics and colors the only limit is your imagination and the possibilities are endless...

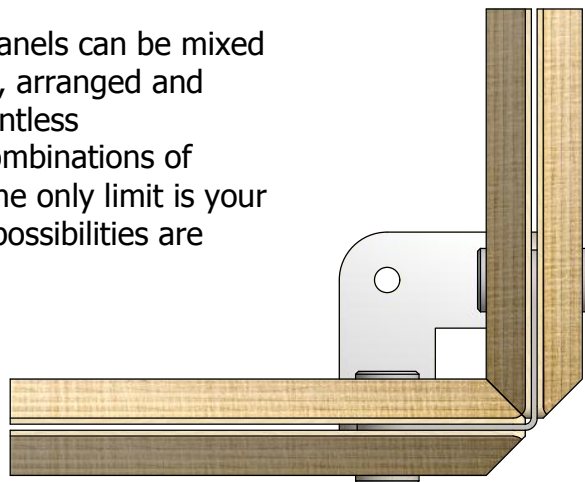
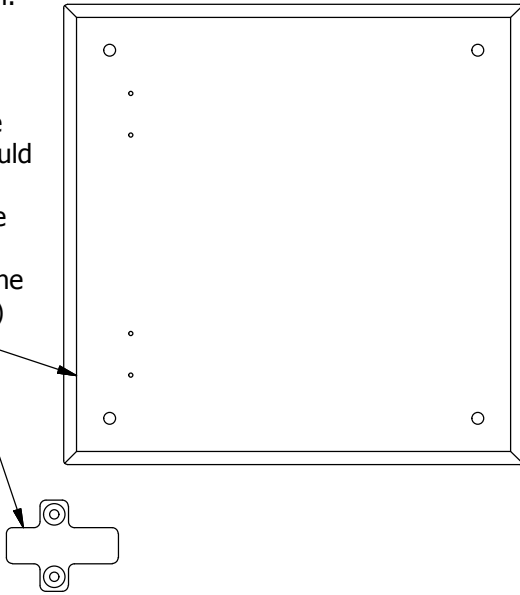


Fig. C

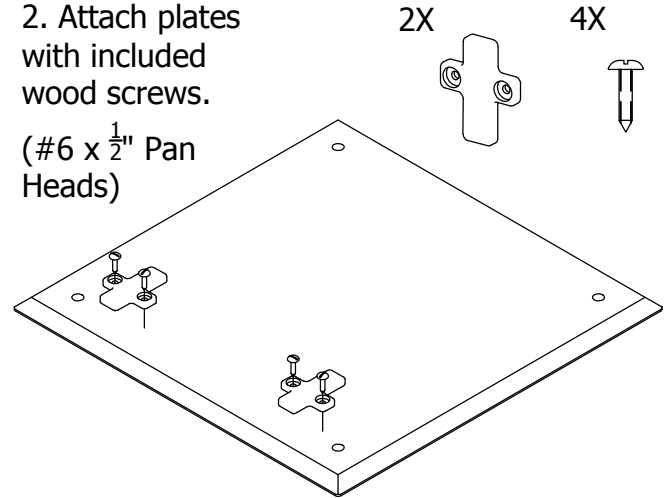
Assembly Prep

This Riff System piece includes a door with hinges. Locate the 15 in. panel with four pilot holes for hinges. Mount the T-shaped hinge plates to the panels lining up the provided screws with your pencil marks. After mounting the hinge plates set these panels aside. You will need them for Step 2 of the assembly instructions.

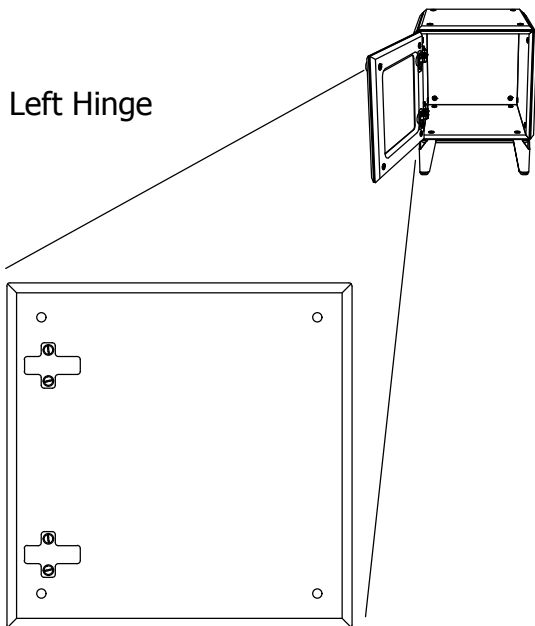
1. Locate the 15 in. panels with pilot holes for the T-shaped hinge mounts. (Note the hinge mounts should be oriented as illustrated with the short top of the T-shape nearest the edge of the panel)



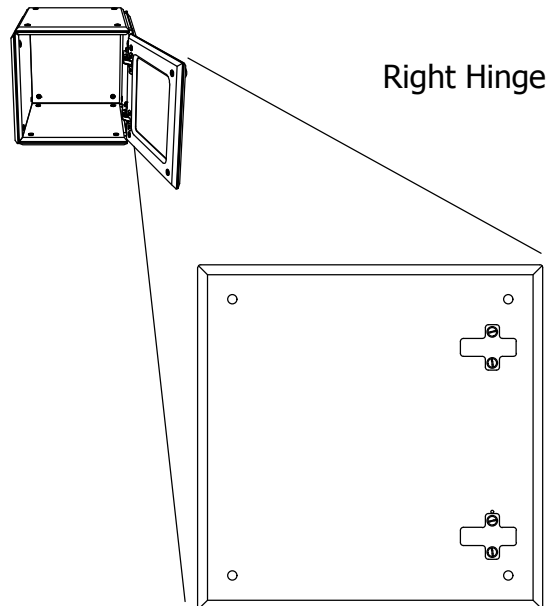
2. Attach plates with included wood screws.
(#6 x $\frac{1}{2}$ " Pan Heads)



Left Hinge



Right Hinge



Design Note:

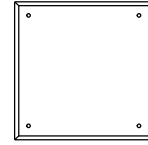
Door hinges can be installed on either side of a cube.

STEP 1

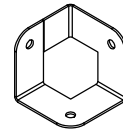
Build the base sandwich with legs.

You will need:

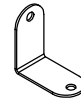
2x 15 in. panel



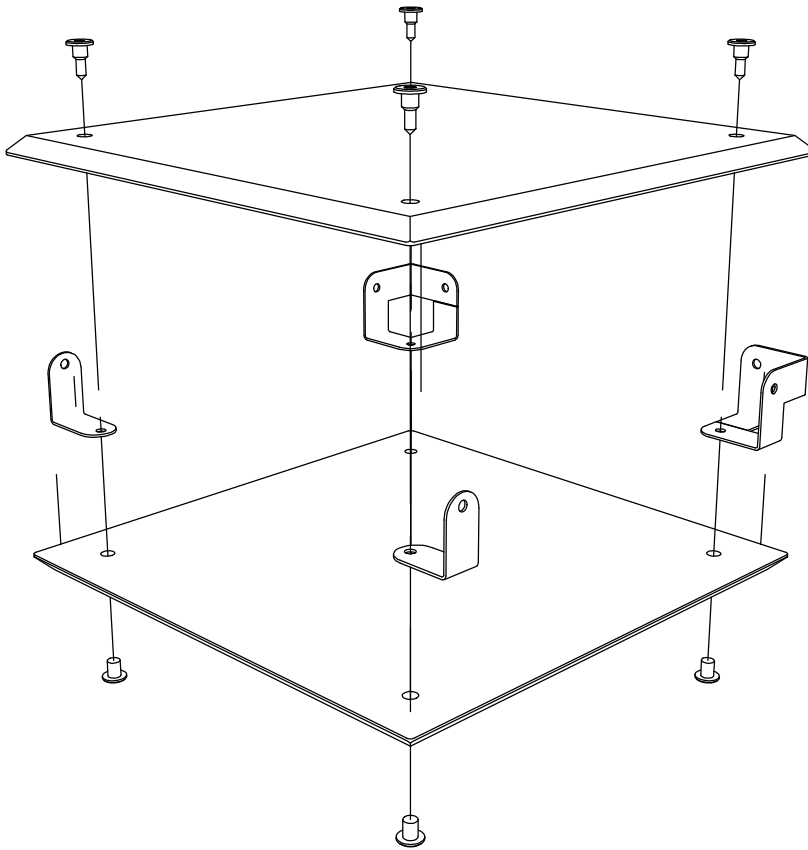
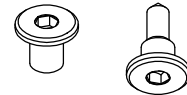
2x Three-hole brackets



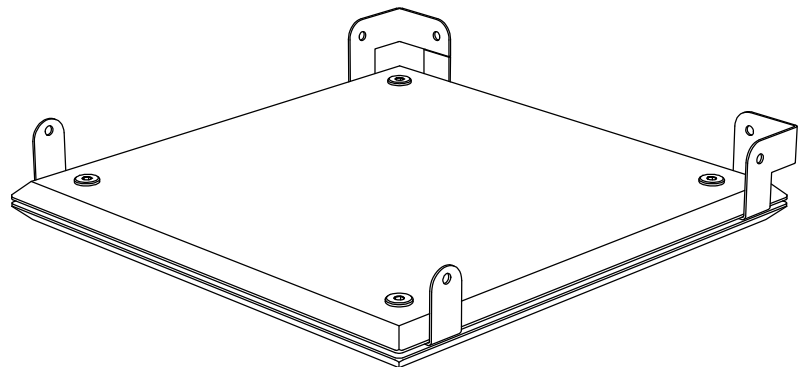
2x L-brackets



4x Nut and bolt sets



NOTE:
Bolts should not be fully tightened until all of the components of the cabinet are in place. Fully tightening the bolts with a wrench too early can make assembly more difficult.

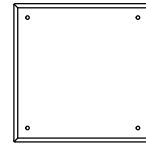


STEP 2

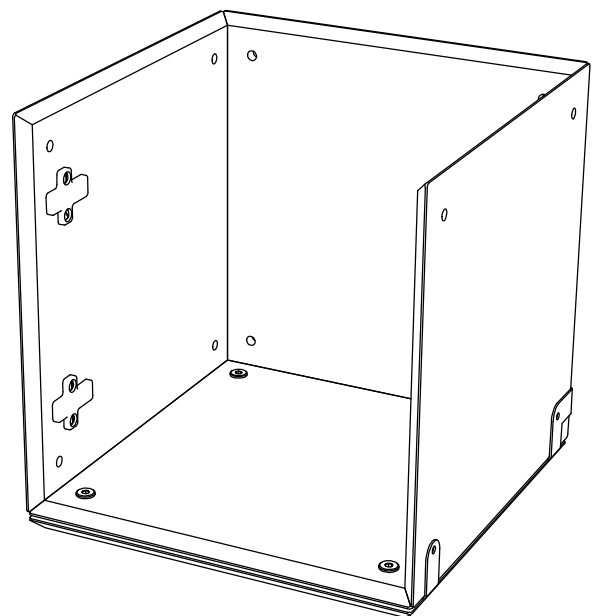
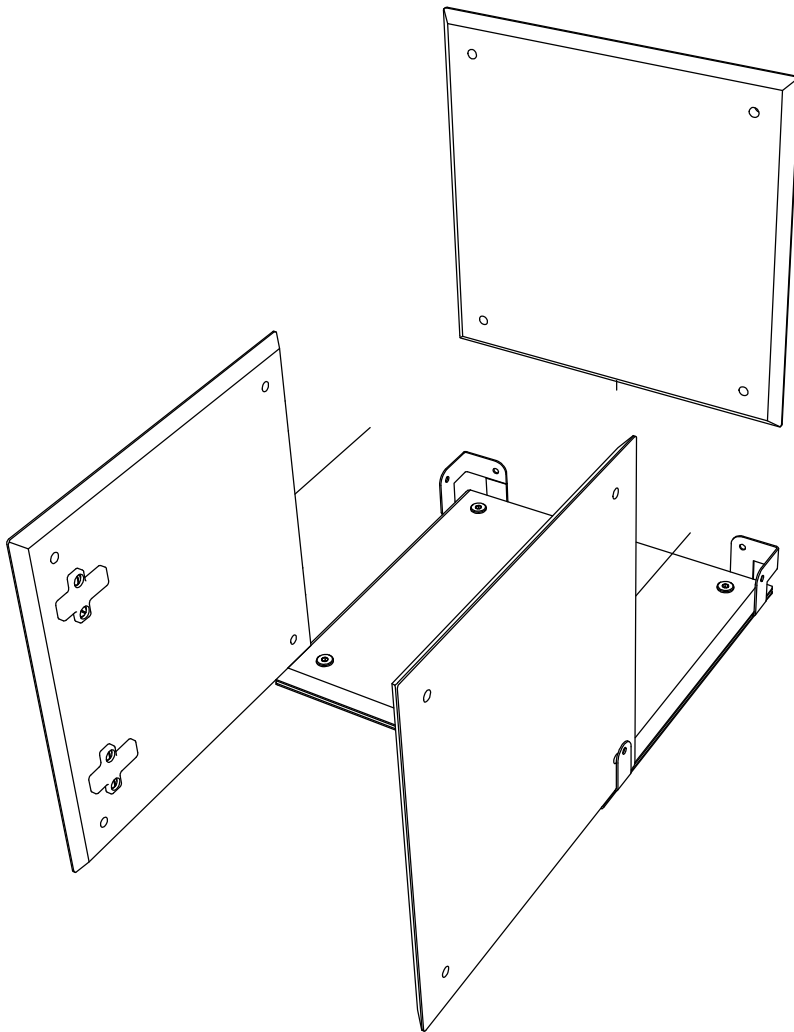
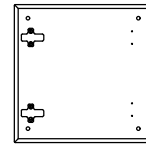
Place the inside panels in on the bottom sandwich.

You will need:

2x 15 in. panel



1x 15 in. panel with hinge mounts

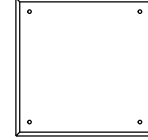


STEP 3

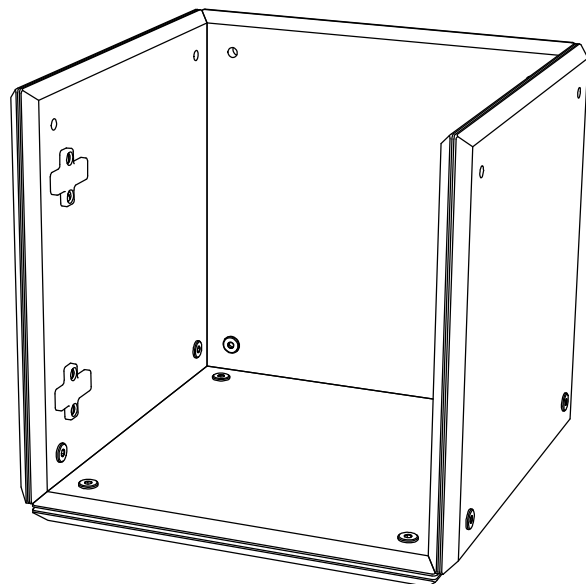
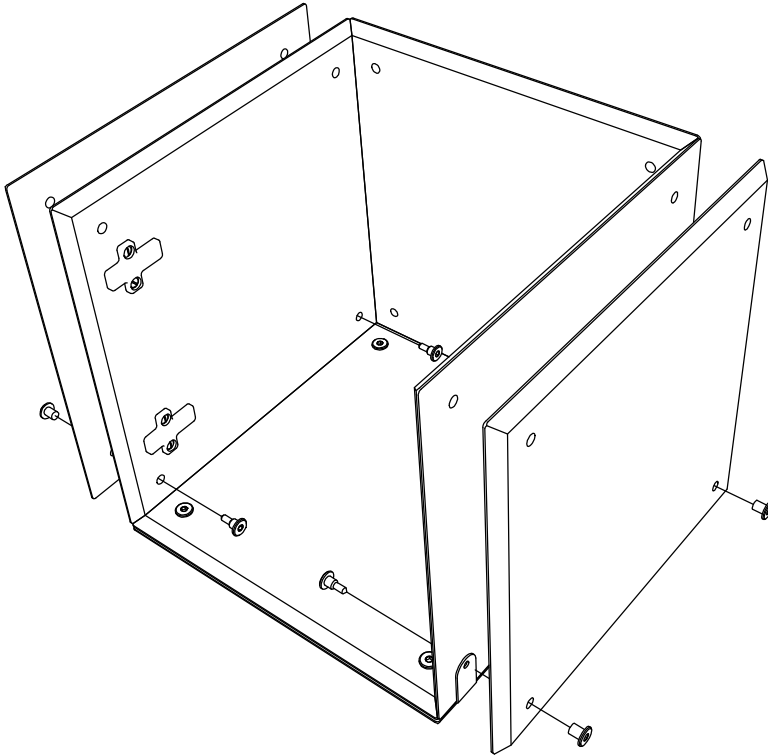
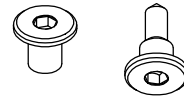
Attach the outer panels to the right and left sides of the cube by bolting the bottom set of holes.

You will need:

2x 15 in. panel



4x Nut and Bolt sets

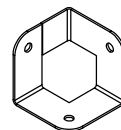


STEP 4

Attach the remainder of the brackets and bolt the top holes of the right and left side sandwiches.

You will need:

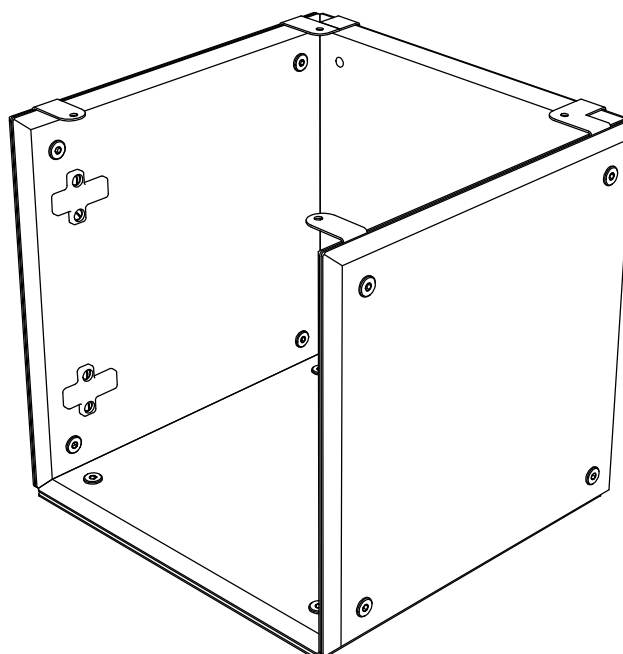
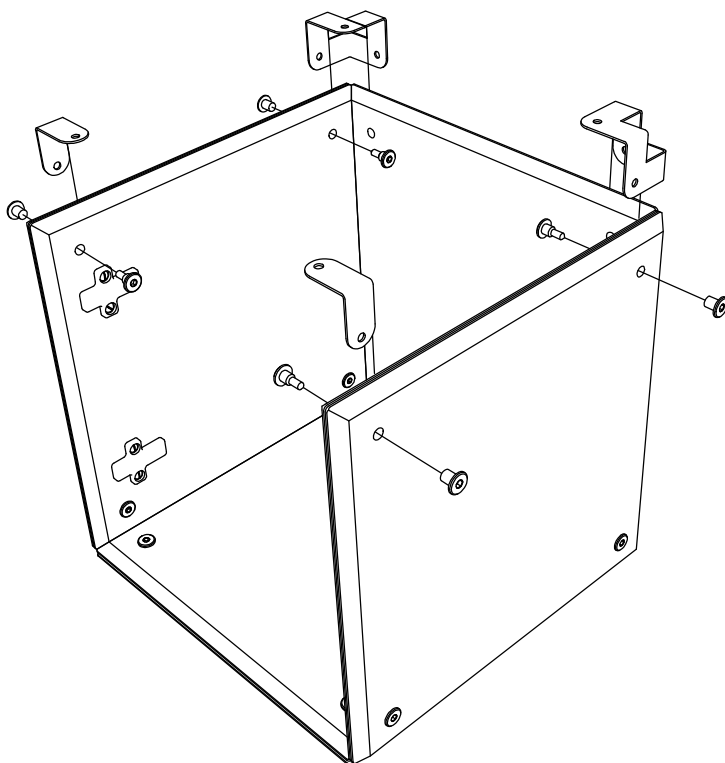
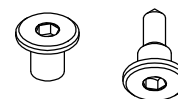
2x 3 hole bracket



2x L bracket



4x Nut and Bolt sets

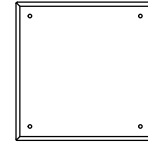


STEP 5

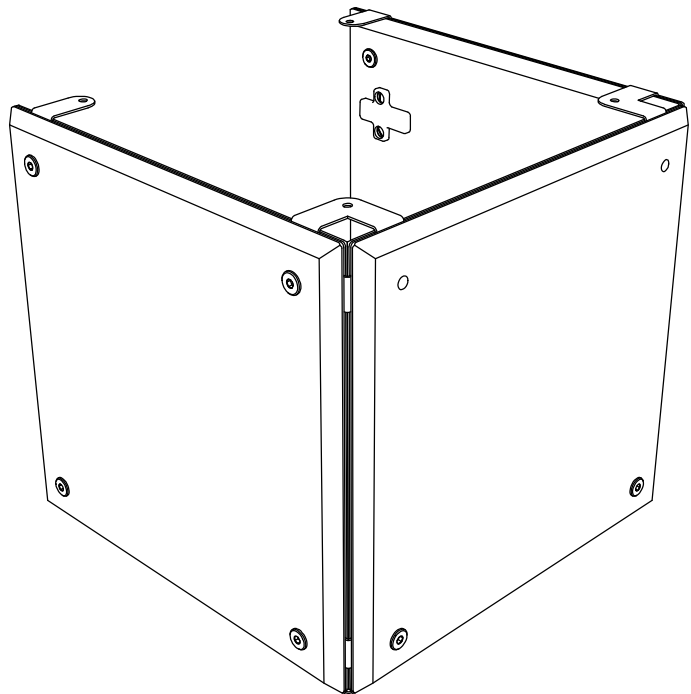
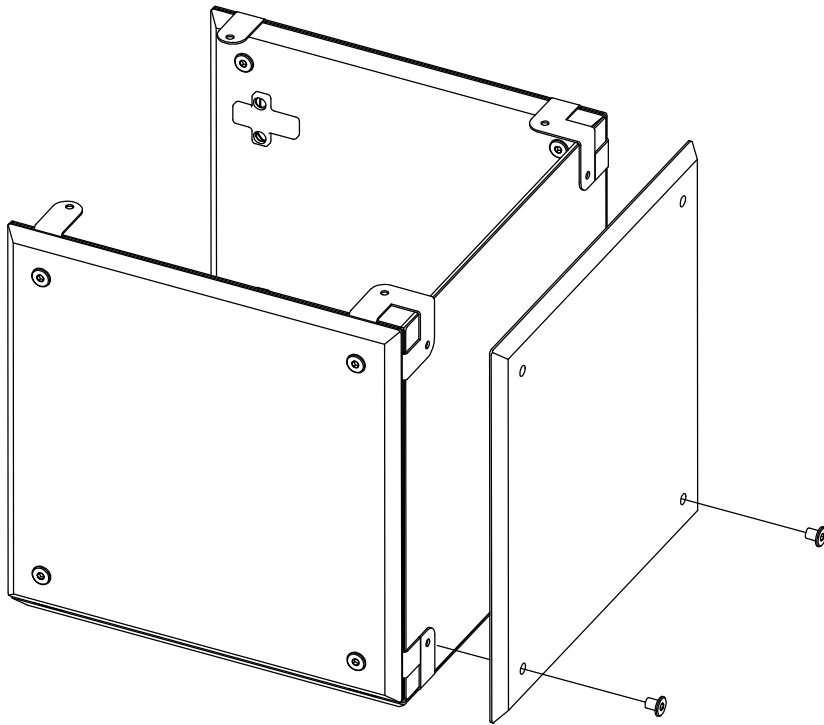
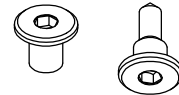
Attach the back panel with the bottom two bolts finishing the back sandwich but leaving the top bolt holes empty.

You will need:

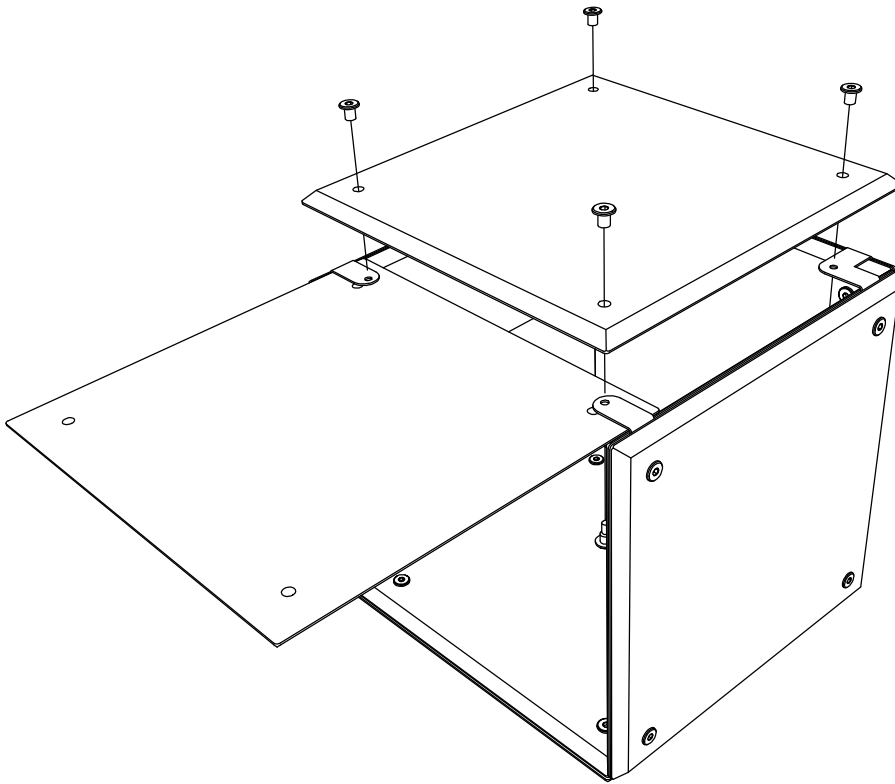
1x 15 in. panels



2x Nut and Bolt sets



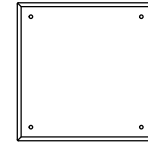
STEP 6



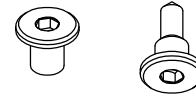
Attach the top sandwich.

You will need:

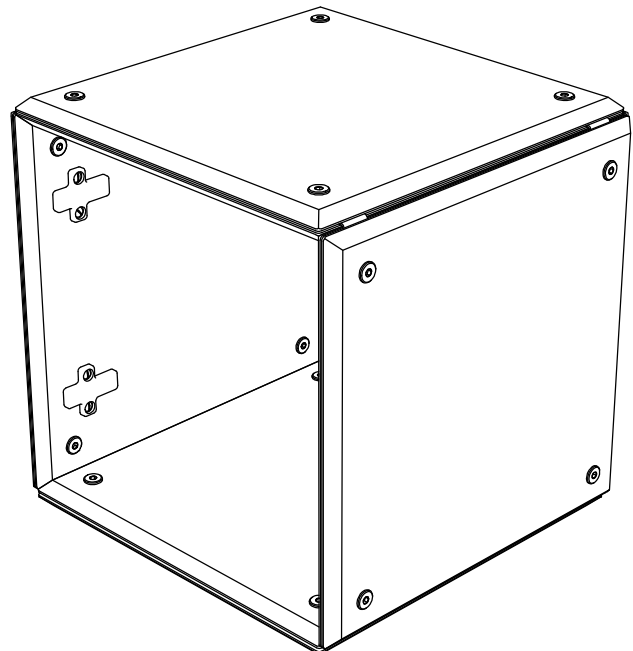
2x 15 in. panels



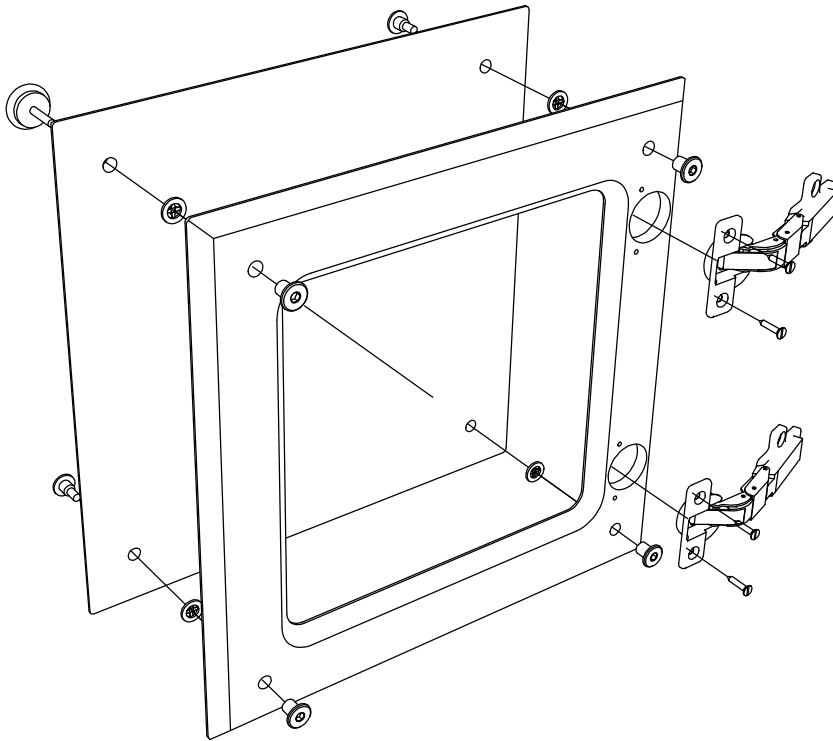
4x Nut and Bolt sets



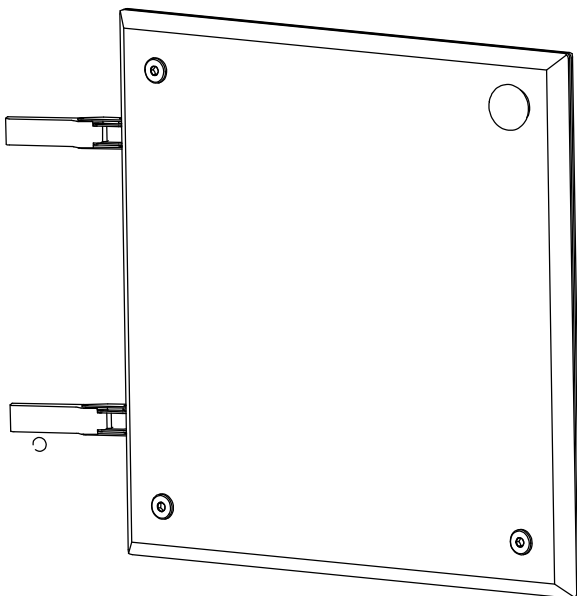
NOTE:
At this point, and before proceeding, all bolts should be fully tightened. Tighten all of the bolts on the cabinet with a wrench to firm but not excessive pressure.



STEP 7



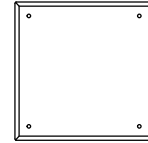
NOTE:
The bolts for the door should be fully tightened when you assemble the door.



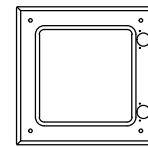
Build the door, placing the pull knob in a preferred location and screw the hinges into the hinge mortises.

You will need:

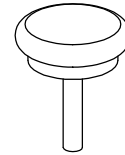
1x 15 in. window panel with hinge mortises



1x 15 in. panel



1x Door pull (knob)



4x Spacer washers



3x Bolts



4x Nuts



2x Hinges

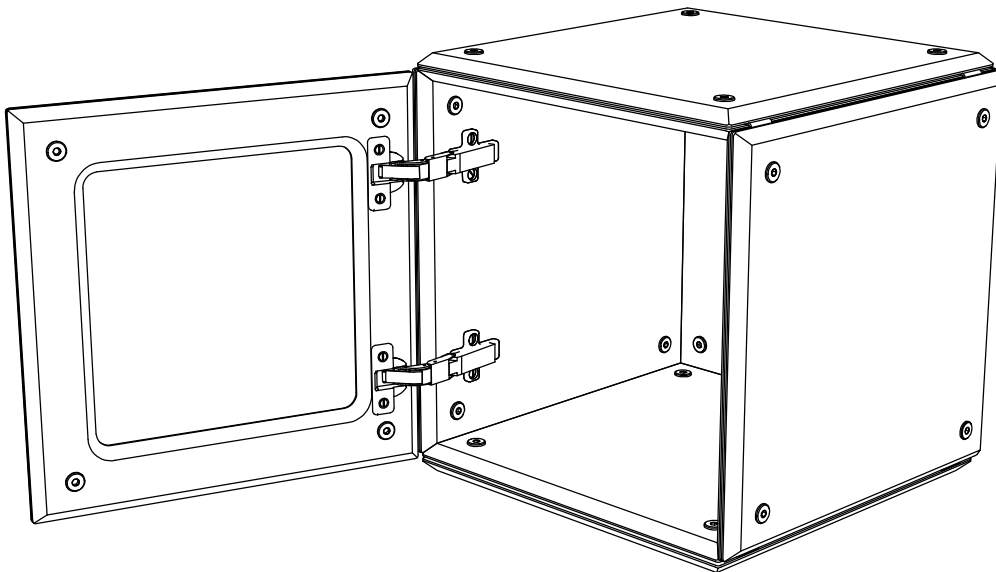
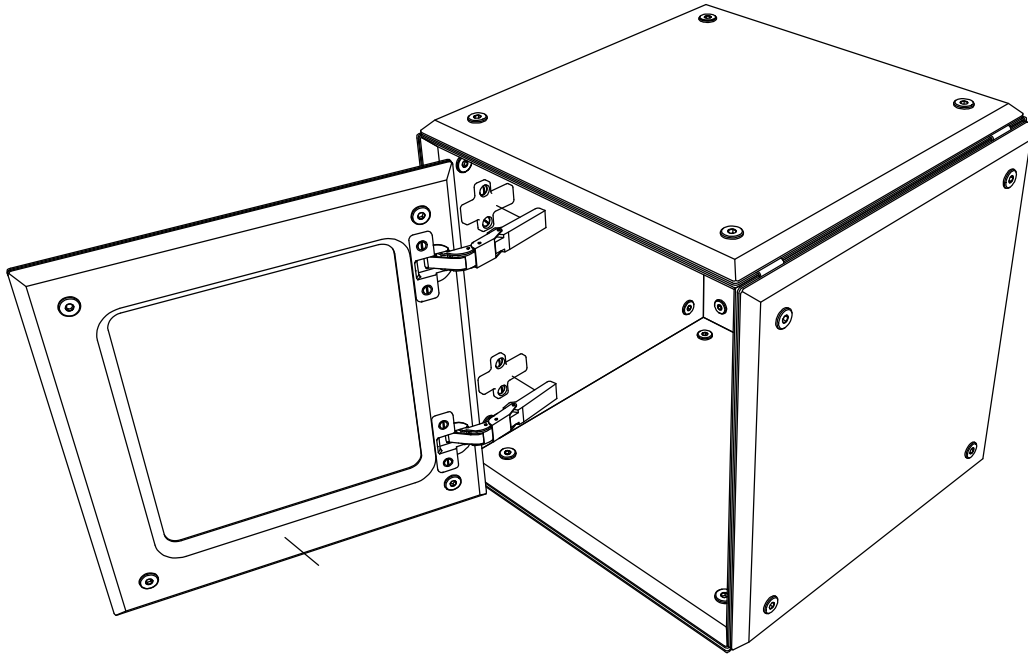


4x Wood screws



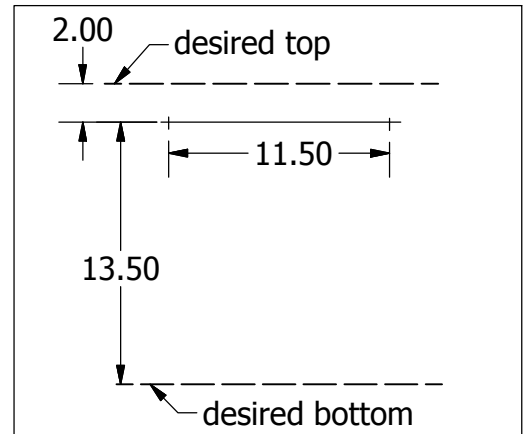
STEP 8

Attach the door hinges to the hinge mounts on the cabinet.

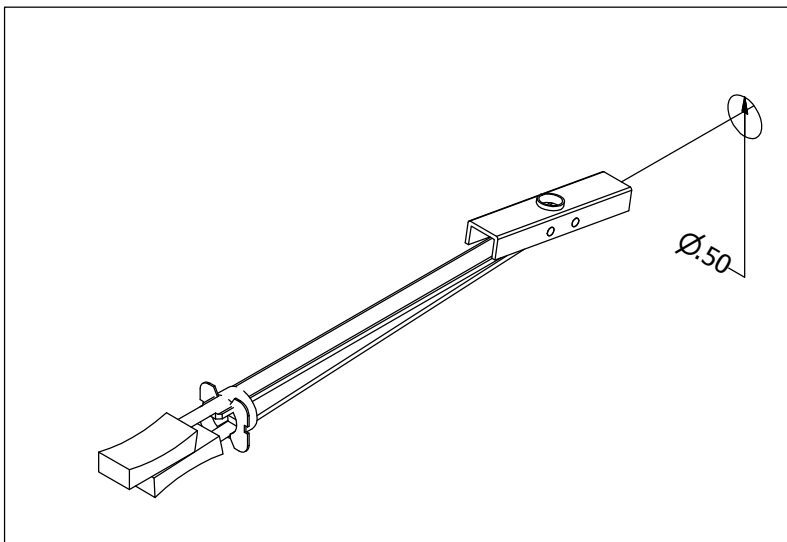


Mounting a Riff System Cube with Zip-Toggles

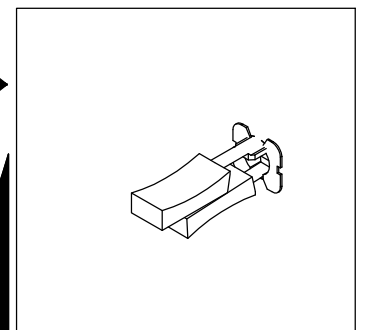
To prepare a cube for wall mount using zip toggles, begin by drawing a level line 2" below the desired top or 13 1/2" above the desired bottom of your cube and make two tic marks 11 1/2" apart on the level line. Before proceeding, drill two small exploratory holes at your tic marks (1/16" or less) to be sure that your hole locations will not hit a stud. Follow the next few steps to place Zip-Toggles in the wall.



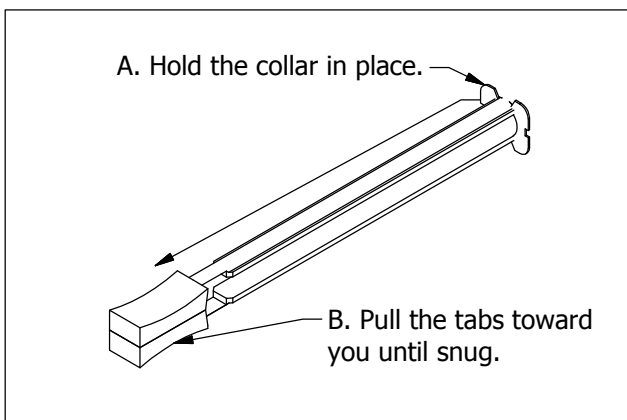
1. Drill a 1/2" hole as accurately as possible at each of your pencil marks.



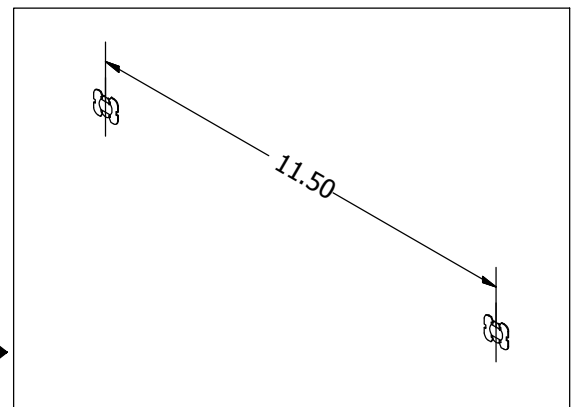
2. Insert a Zip-Toggle into each hole as illustrated.



3. Make sure the collar of each Zip-Toggle is snug in each hole.



4. Carefully and slowly pull the Zip-Toggle towards you keeping the collar in the hole until the toggle is engaged.



5. Break the tabs off at the wall. You now have two toggles spaced 11 1/2" apart ready to mount your cube.

STEP 9

Mount the cube to the wall using the installed zip toggles from the previous page and the long shoulder bolts. We recommend a second person to help hold the cube in place while threading the bolts into place. Slide the shelf into the cube and enjoy.

