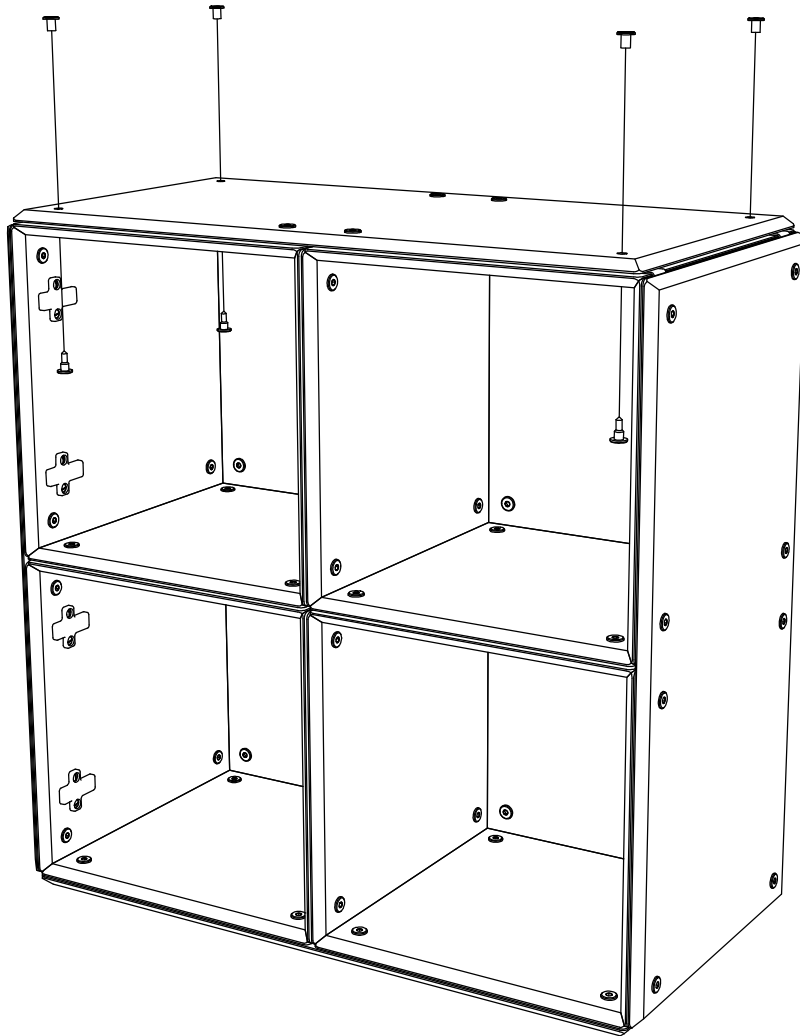


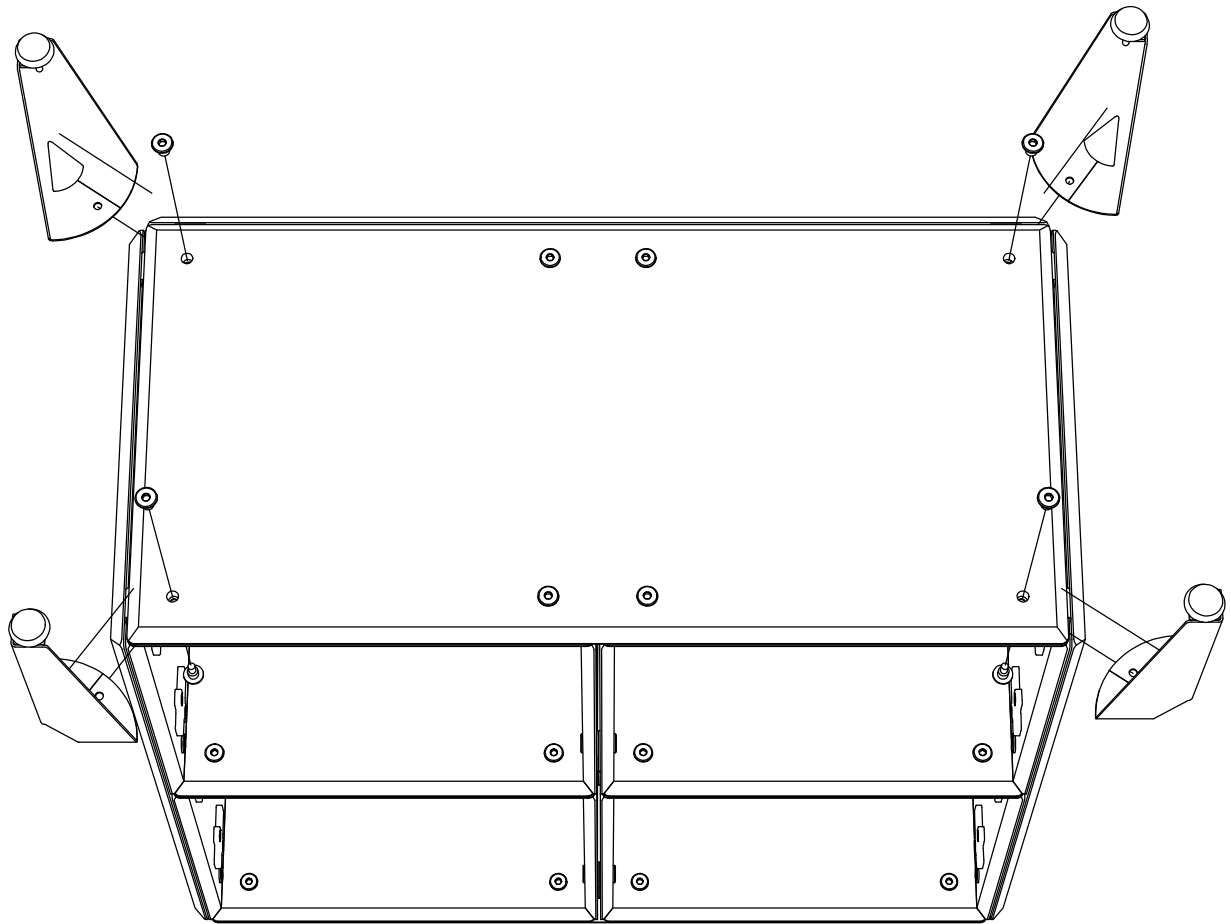
Leg Installation

To install the legs, first flip the cabinet on its top and remove the 4 nuts and bolts holding the corners of the bottom panel in place.



Leg Installation

Next slide the legs between the panels as illustrated and replace the four nuts and bolts.



Attach Doors

With assistance lift the cabinet and restore it to an upright position and then attach the doors to the pre-installed hinge mounts.

Clip the doors to their hinge mounts.
(See included Salice instructions for more detail)

