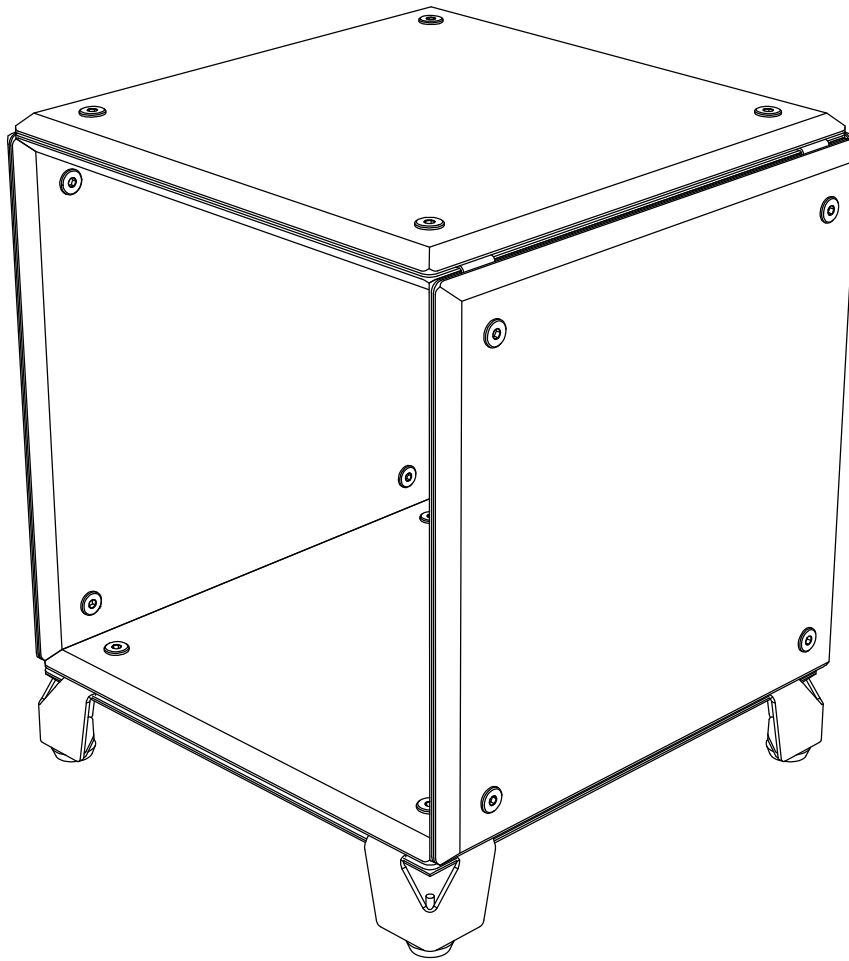


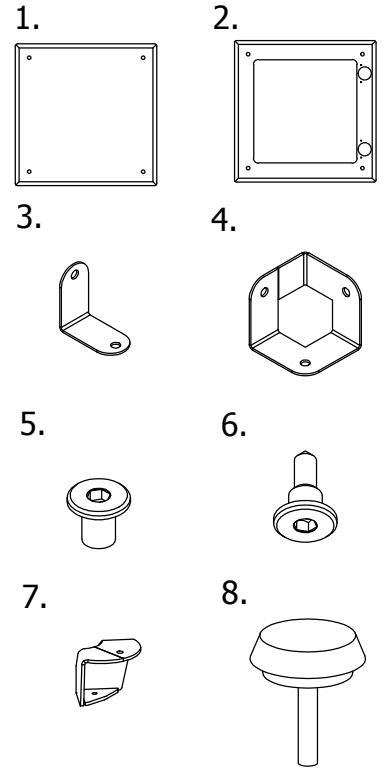
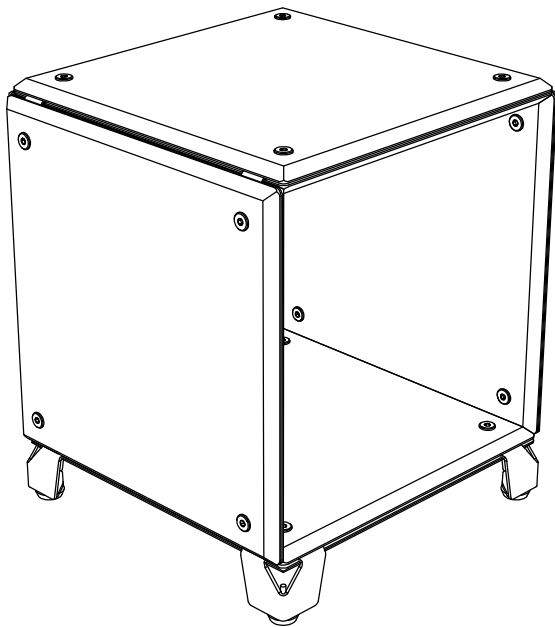
Riff System by Drift Studio



Floor Cube Assembly Instructions

Floor Cube

PARTS LIST		
ITEM	QTY	PART NUMBER
2	1	15 in. Window Panel with Hinge Mortise
3	4	L-Bracket
4	4	3-Hole Bracket
6	23	Shoulder Bolt
7	4	2 in. Leg
8	4	Threaded Foot
15	11	15 in. panel
16	24	Barrel Nut



Riff System by Drift Studio

Questions? Email: info@driftstudio.com

Riff Basics: This is a Riff System Cube...

It is constructed from sandwiches which are assembled from panels, brackets, nuts and bolts (Fig. A). Riff system sandwiches can be configured in countless ways by following a few simple rules:

1st...

Brackets (and legs) are always sandwiched between two panels (Fig. A)

2nd...

All holes in Riff System panels eventually receive a bolt and nut. This is how multiple sandwiches are fastened together.

3rd...

Panels are always oriented back-to-back with the finished sides out so the bevels on each edge form a point. (Fig. B)
Sandwiches that are perpendicular to one another meet at the bevels. (Fig. C)



Fig. A

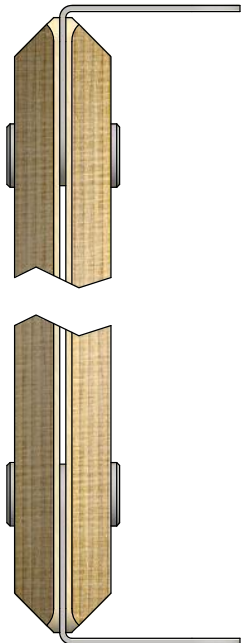


Fig. B

Finally...

Printed Riff System Panels can be mixed and matched, moved, arranged and rearranged. With countless configurations and combinations of graphics and colors the only limit is your imagination and the possibilities are endless...

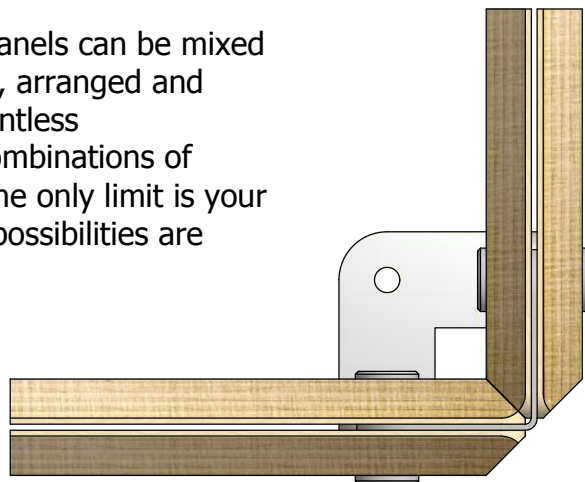


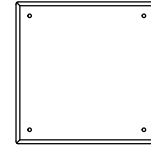
Fig. C

STEP 1

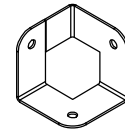
Build the base sandwich with legs.

You will need:

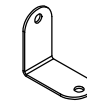
2x 15 in. panel



2x Three-hole brackets



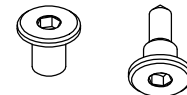
2x L-brackets



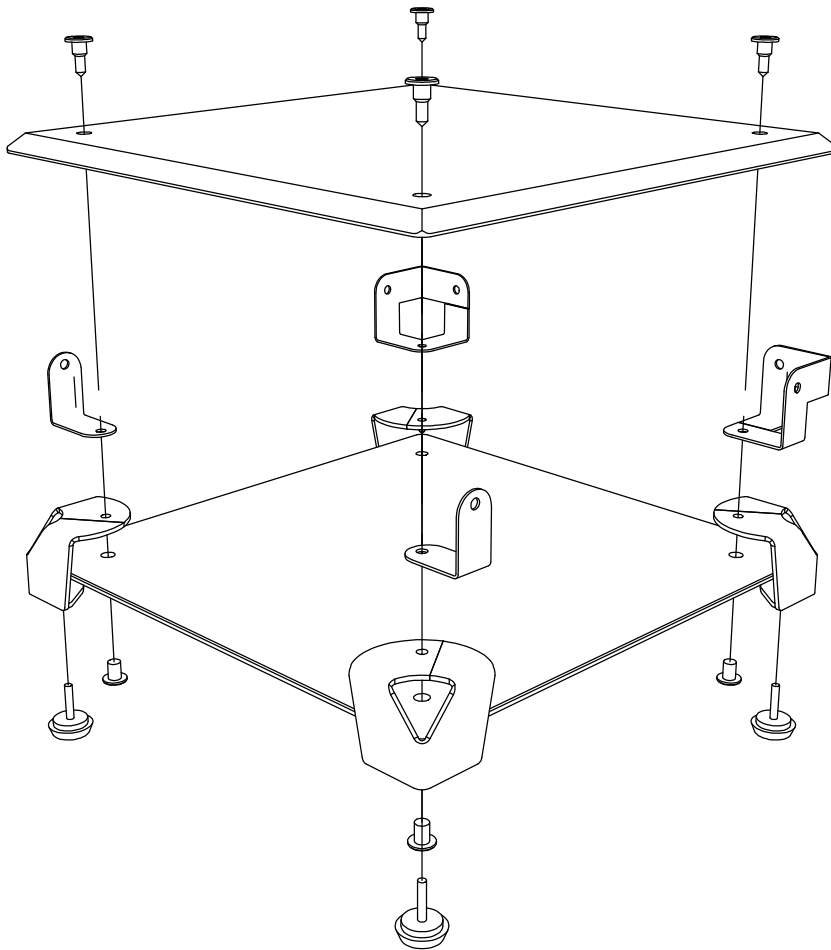
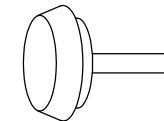
4x Legs



4x Nut and bolt sets

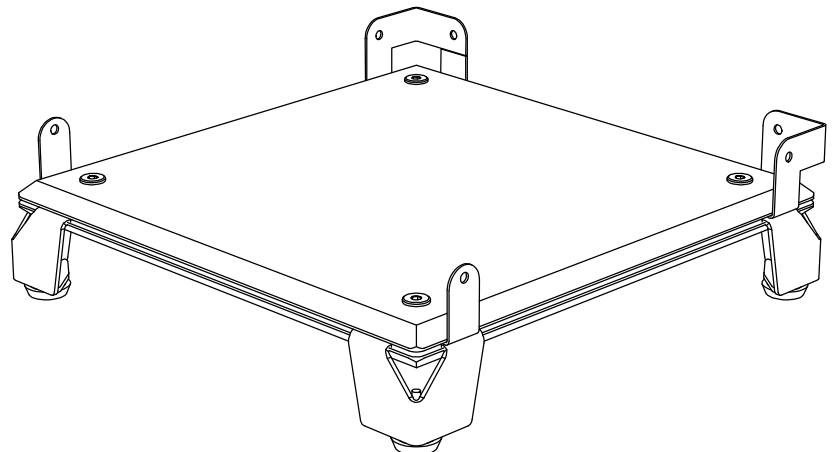


4x Threaded Feet



NOTE:

Bolts should not be fully tightened until all of the components of the cabinet are in place. Fully tightening the bolts with a wrench too early can make assembly more difficult.

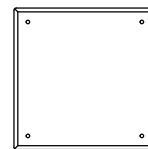


STEP 2

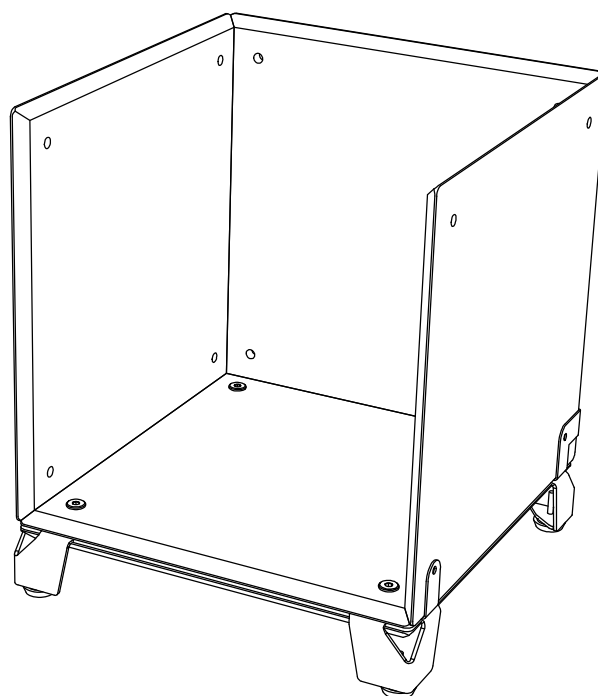
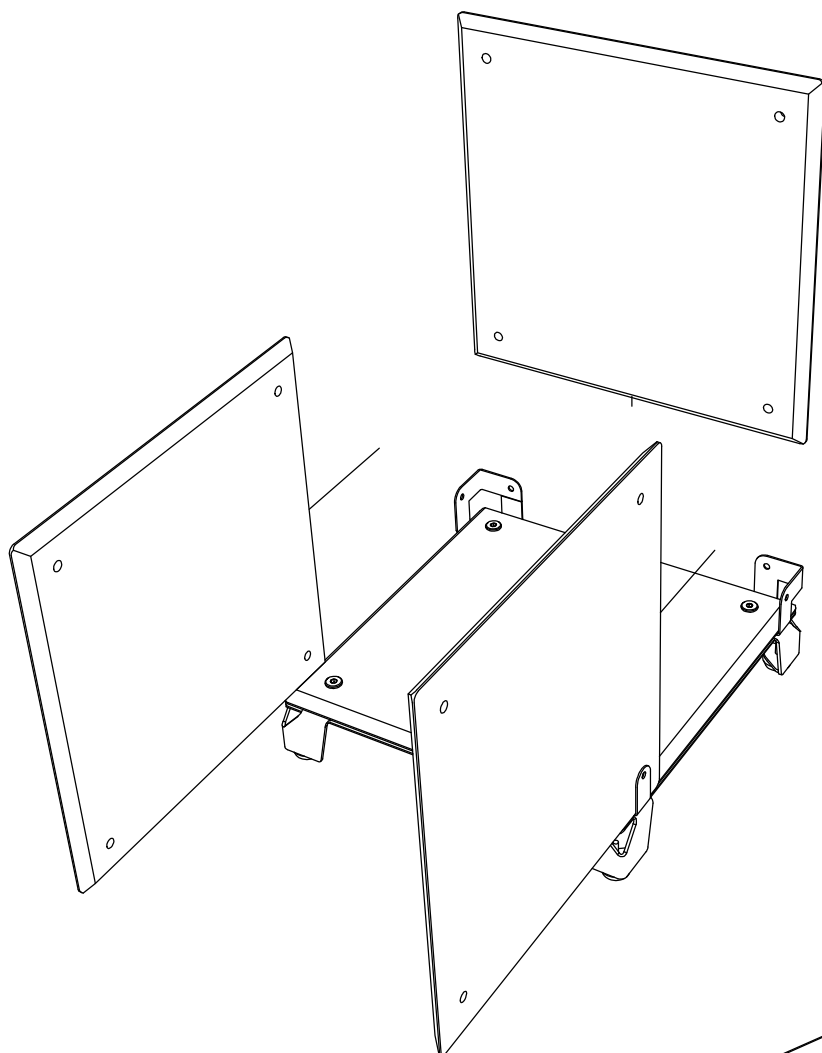
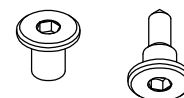
Place the inside panels in on the bottom sandwich.

You will need:

3x 15 in. panel



6x Nut and bolt sets

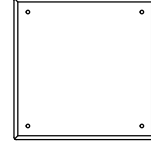


STEP 3

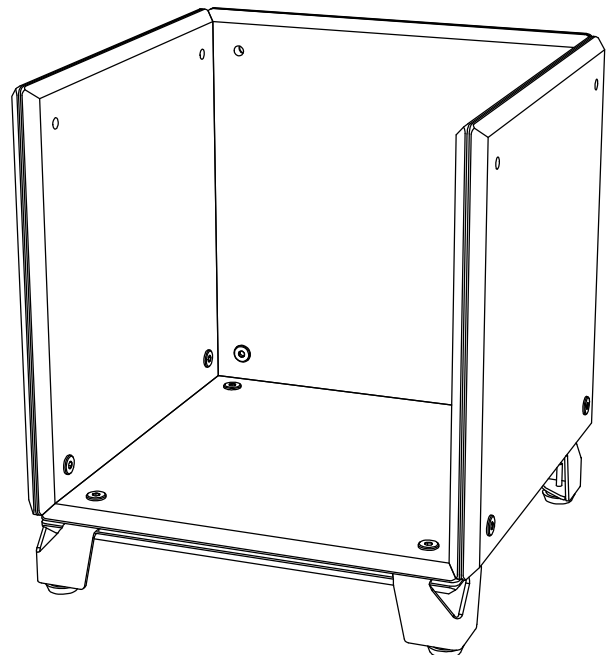
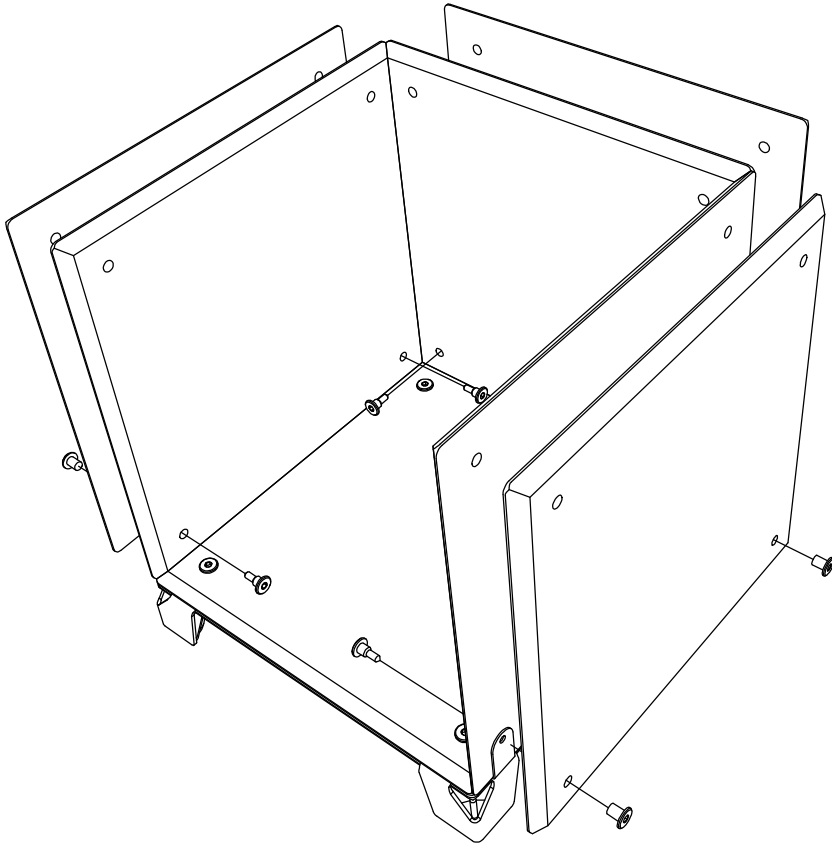
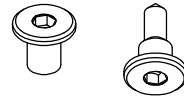
Attach the outer panels to the sides of the cube by bolting the bottom set of holes.

You will need:

3x 15 in. panel



6x Nut and Bolt sets

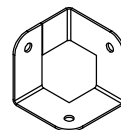


STEP 4

Attach the remainder of the brackets and bolt the top holes of the side and back panels.

You will need:

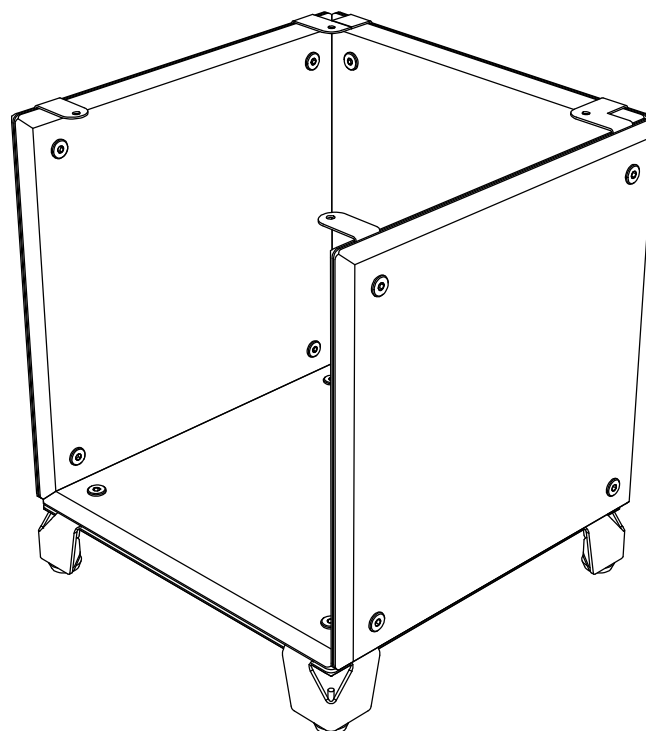
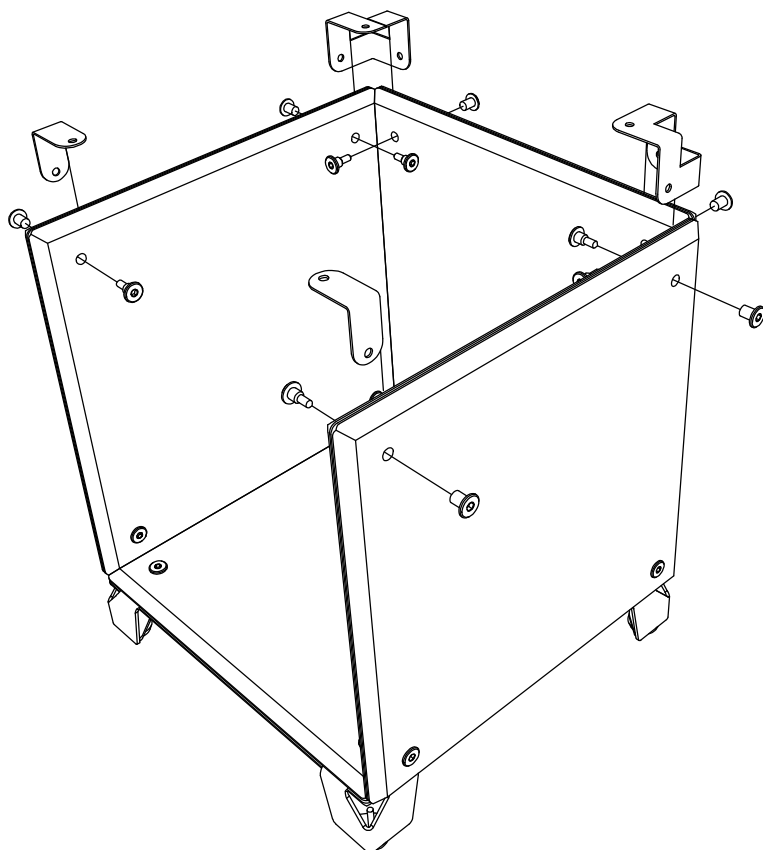
2x 3 hole bracket



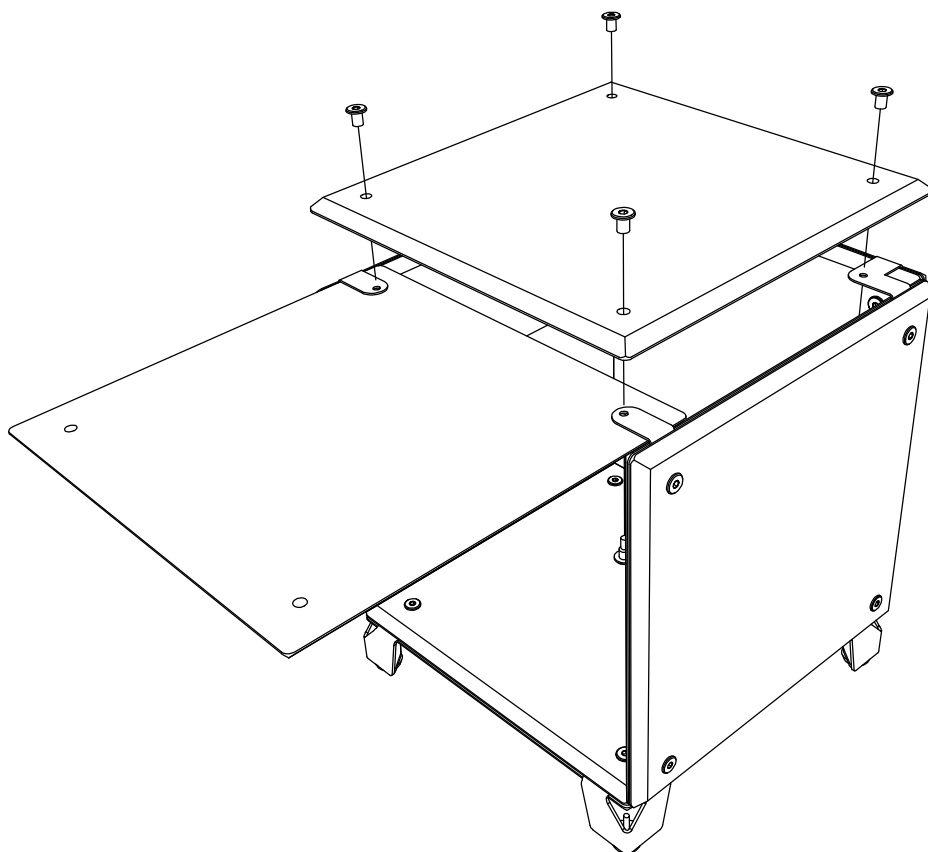
2x L bracket



6x Nut and Bolt sets



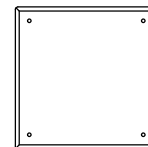
STEP 5



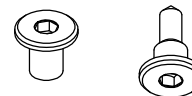
Attach the top sandwich.

You will need:

2x 15 in. panels



4x Nut and Bolt sets



NOTE:
At this point, and before proceeding, all bolts should be fully tightened. Tighten all of the bolts on the cabinet with a wrench to firm but not excessive pressure.

