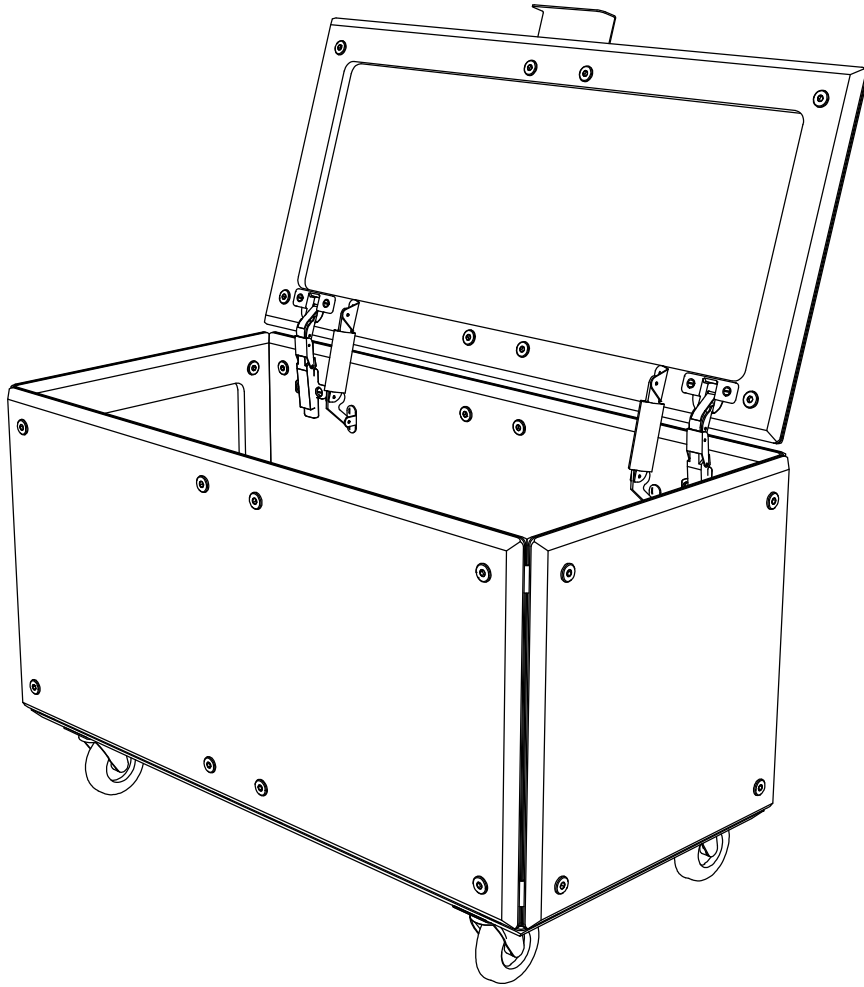


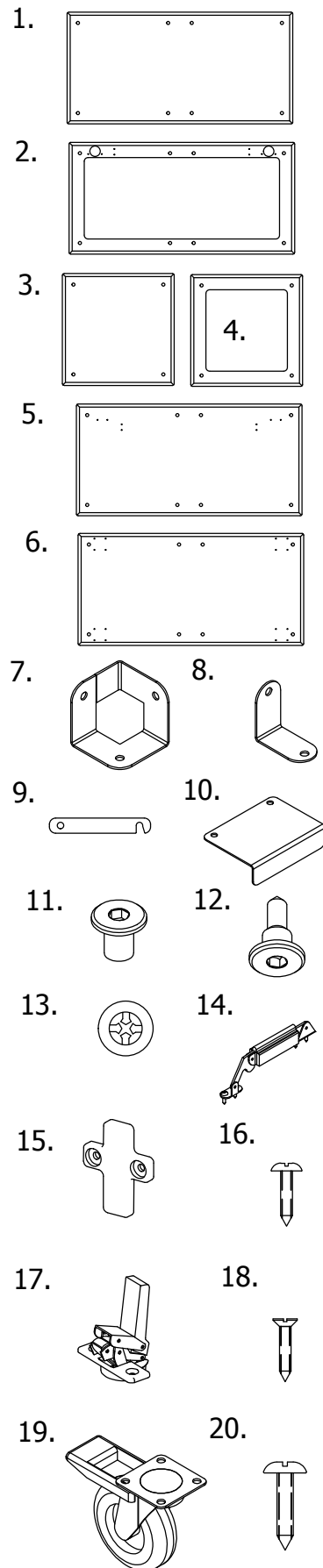
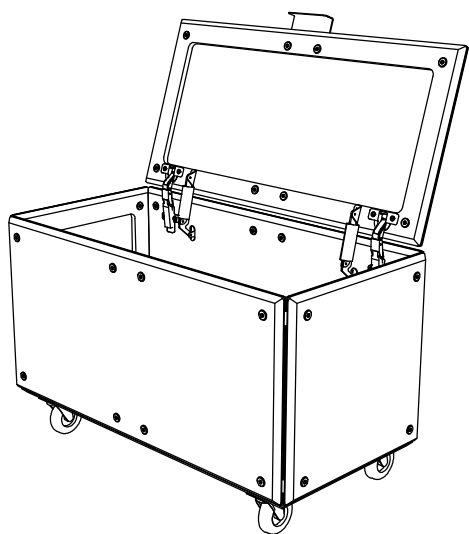
Riff System by Drift Studio



Blanket Chest Assembly Instructions

Blanket Chest

PARTS LIST		
ITEM	QTY	PART NUMBER
1	5	30 in. Panel
2	1	30 in. window panel w/ hinge mortise
3	2	15 in. Panel
4	2	15 in. window panel
5	1	30 in. panel w/ pilot holes for hinges
6	1	30 in. panel w/ pilot holes for casters
7	4	3-Hole Bracket
8	8	L-Bracket
9	3	2-hole spacer
10	1	Lid tab
11	40	Barrel Nut
12	40	Shoulder Bolt
13	4	Nylon Spacer Washer
14	2	Lid Arrester
15	2	Salice Hinge Flat Mount
16	12	#6 x 1/2" pan head screw for Salice Hinge
17	2	Salice Hinge
18	4	#6 x 1/2" conunter sink screw for Salice Hinge
19	4	3 in. Caster
20	16	#8 x 1/2" screws for Casters



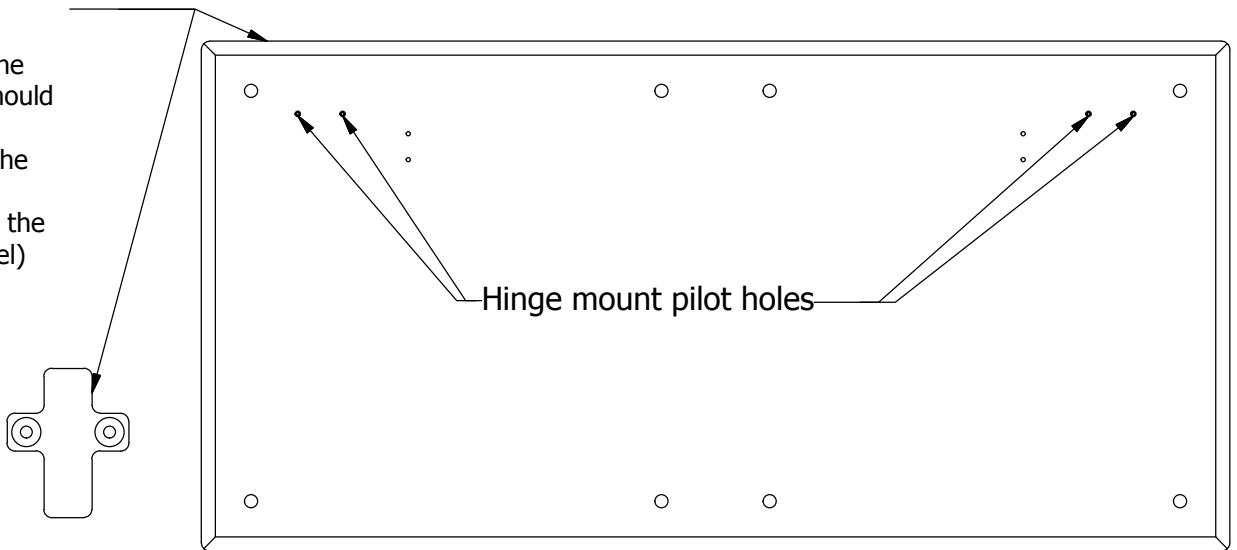
Riff System by Drift Studio

Questions? Email: info@driftstudio.com

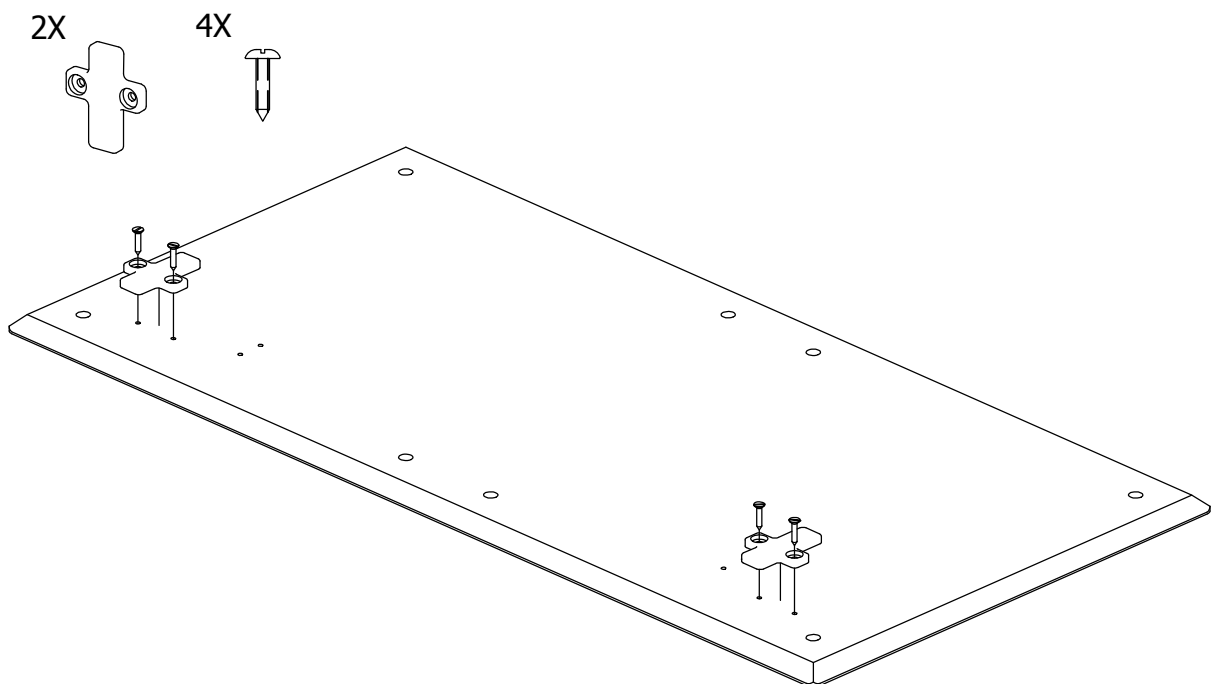
Assembly Prep

This Riff System piece includes a lid with hinges. Before starting major assembly locate the 30 in. panels with six pilot holes for hinge mounts and lid arresters. Mount the T-shaped hinge plates to the panels lining up the provided screws with the pilot holes as illustrated. After mounting the hinge plates set these panels aside. You will need them for later steps of the assembly process.

1. Locate the 15 in. panels with pilot holes for the T-shaped hinge mounts. (Note the hinge mounts should be oriented as illustrated with the short top of the T-shape nearest the edge of the panel)



2. Attach plates with included wood screws. (#6 x $\frac{1}{2}$ " Pan Heads)

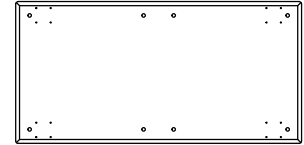


STEP 1

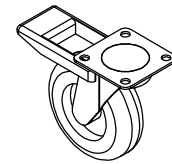
Mount the casters to the 30 in. panel with pilot holes for casters using the pilot holes to locate the screws.

You will need:

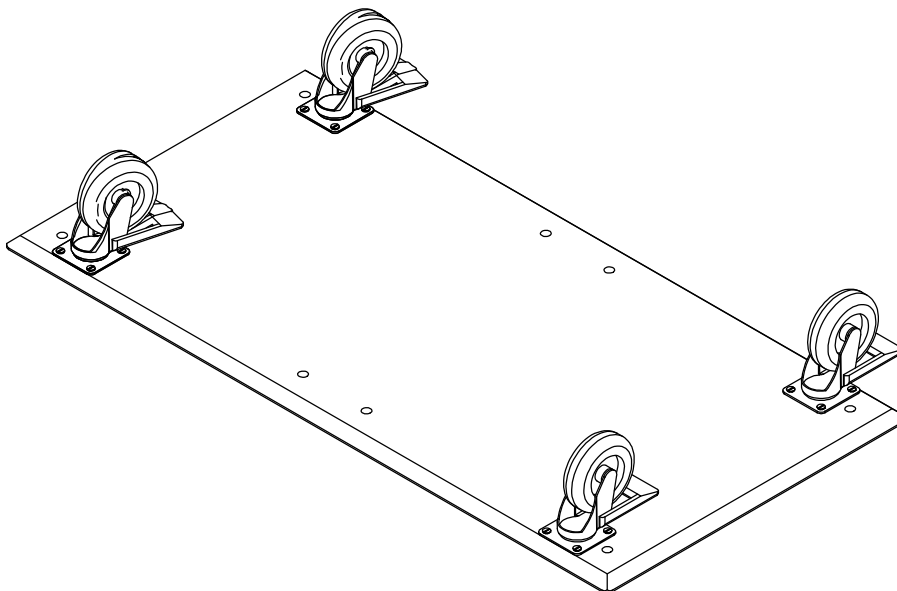
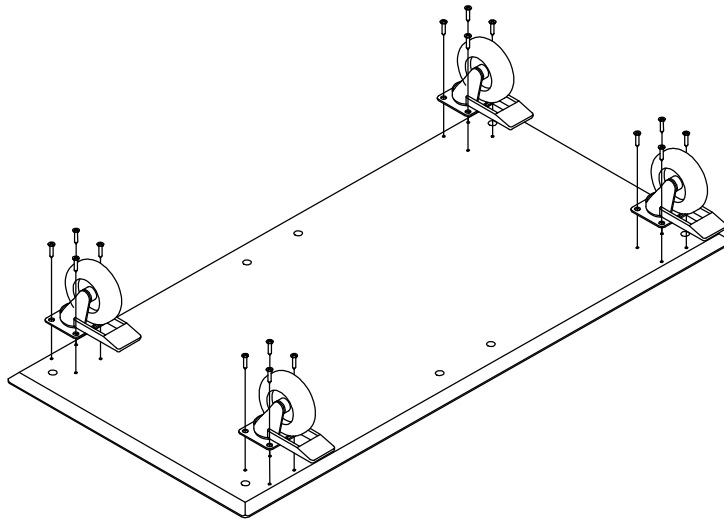
1x 30 in. panel with pilot holes for casters



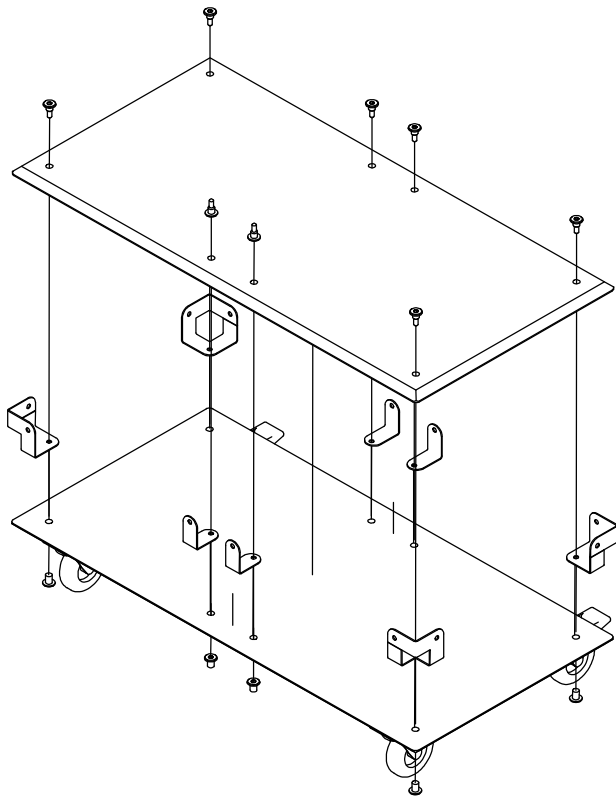
4x Casters



16x #8 x 1/2" Pan Head Wood Screws



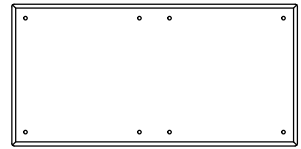
STEP 2



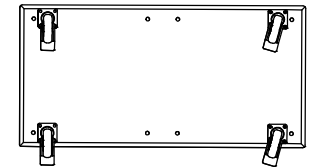
Build the base sandwich.

You will need:

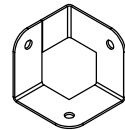
1x 30 in. panel



1x 30 in. panel w/ casters



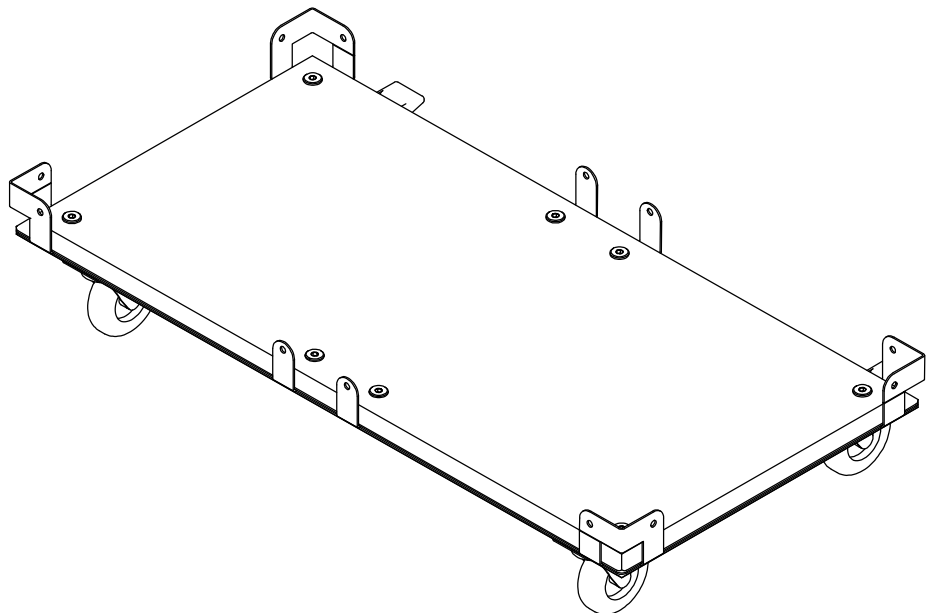
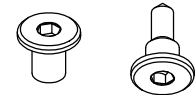
4x Three-hole brackets



4x L-brackets



8x Nut and bolt sets

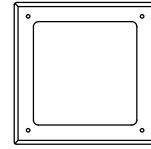


STEP 3

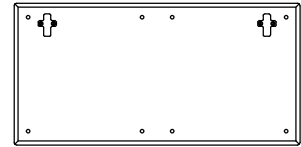
Slide the inner panels into place inside the vertical brackets.

You will need:

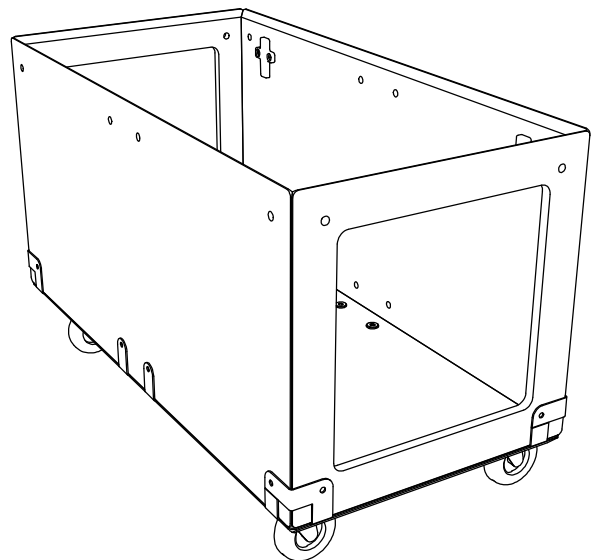
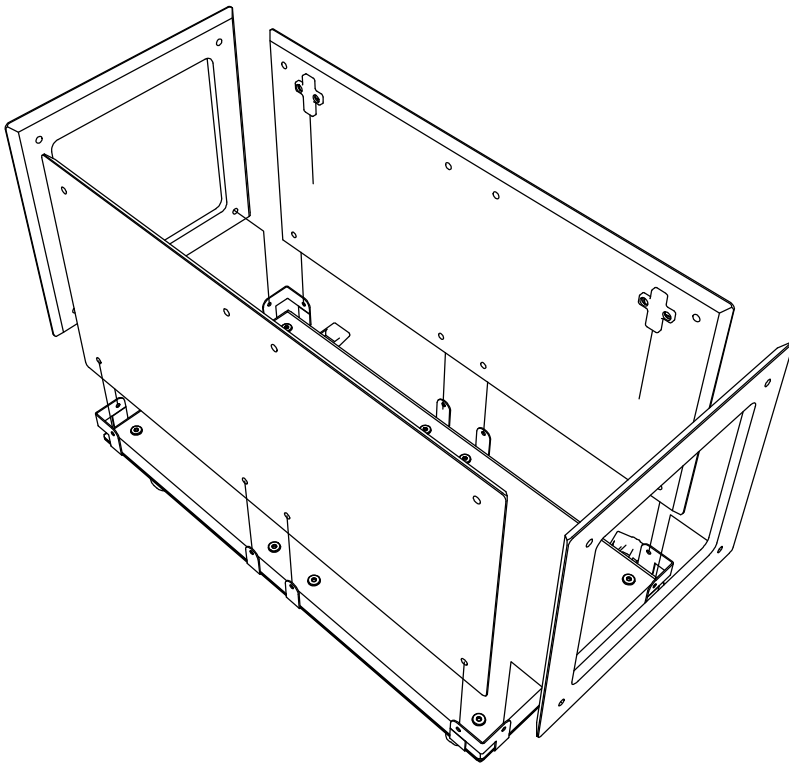
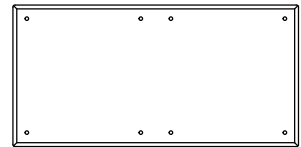
2x 15 in. window panels



1x 30 in. panel with hinge mounts



1x 30 in. panel

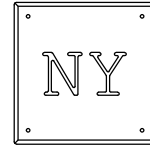


STEP 4

Attach the sides sandwiching the L-brackets in between the inner and outer panels.

You will need:

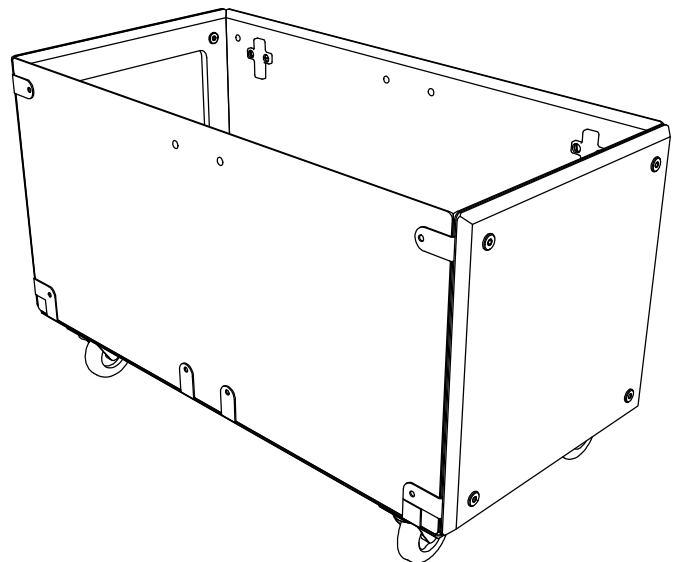
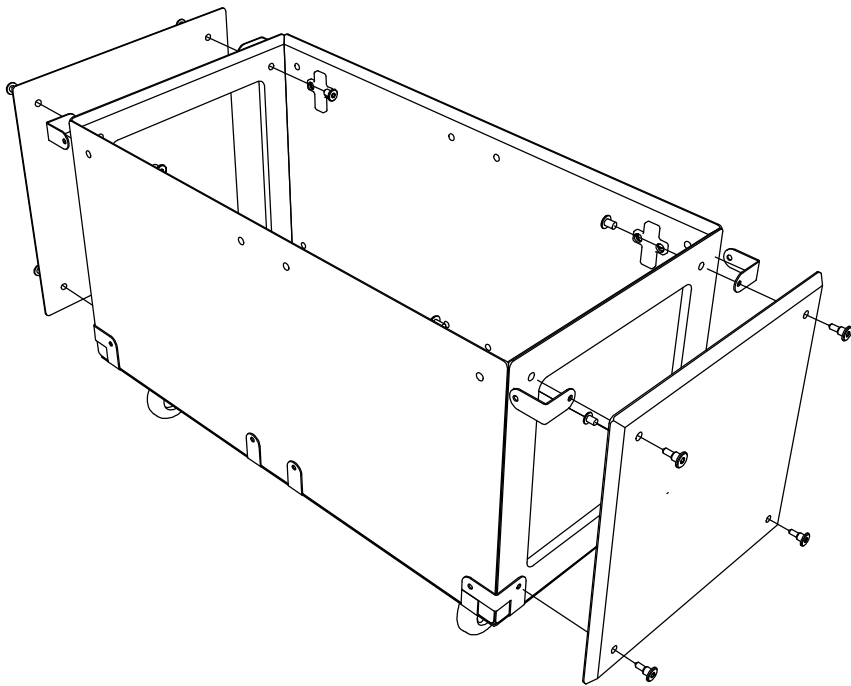
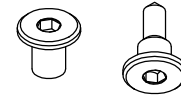
2x 15 in. "NY" panels



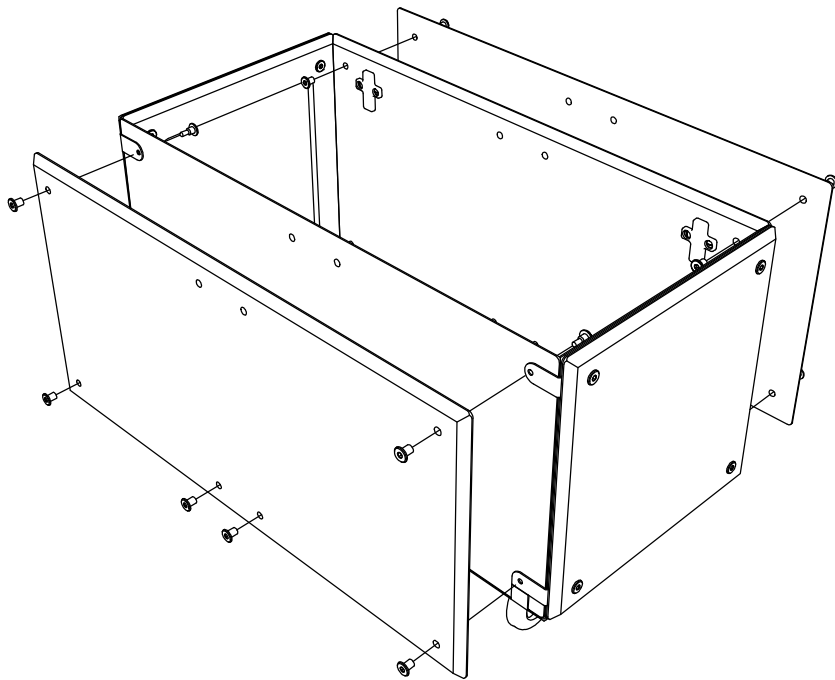
4x L-brackets



8x Nut and Bolt Sets



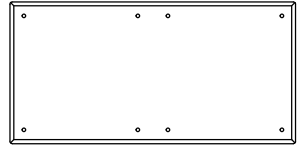
STEP 5



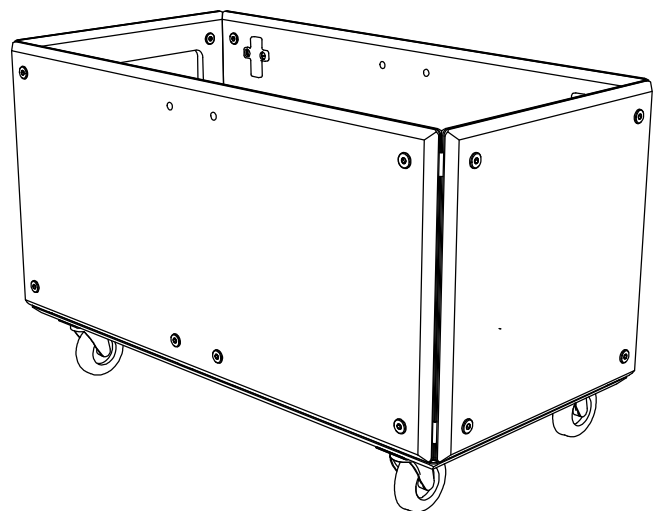
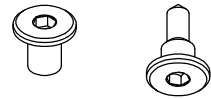
Attach the outer panels on the front and back of the chest. Do not bolt the middle top holes on either panel.

You will need:

2x 30 in. panel

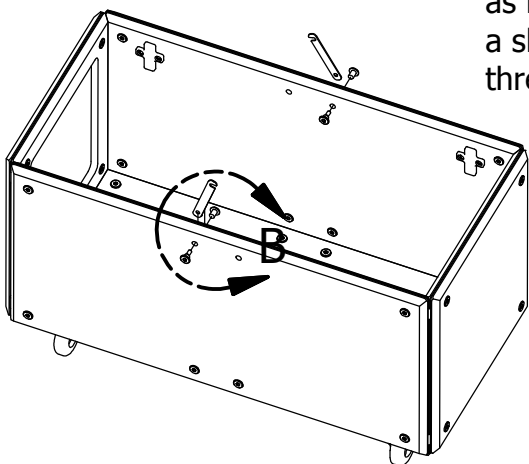


12x Nut and Bolt sets

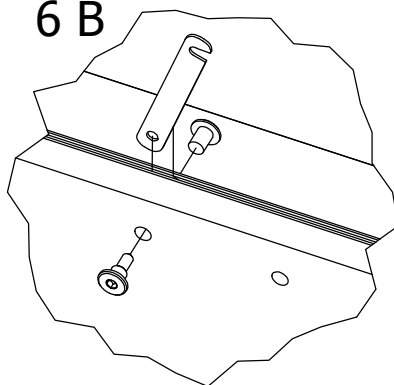


STEP 6

6A:
Slide the 2-hole bracket into place as illustrated and "capture" it with a shoulder bolt. Then lightly thread the first nut into place.

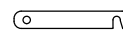


6 B

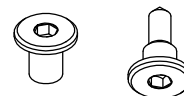


Bolt the final four holes on the top of the front and back sandwiches. Follow the outlined procedure to capture a spacer in the gap between the panels.

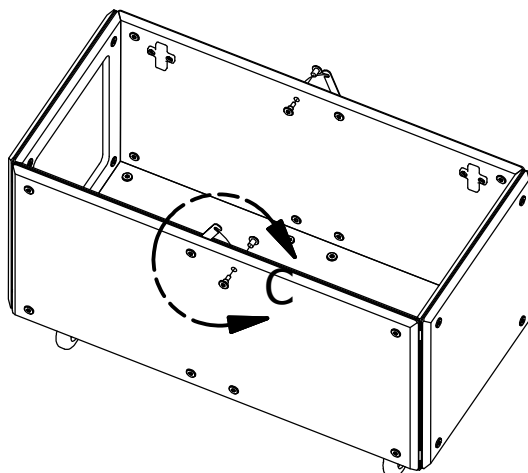
2x 2-hole spacers



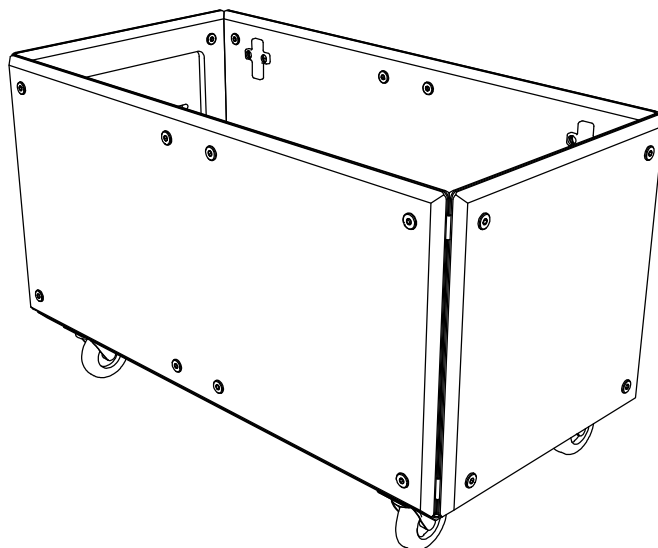
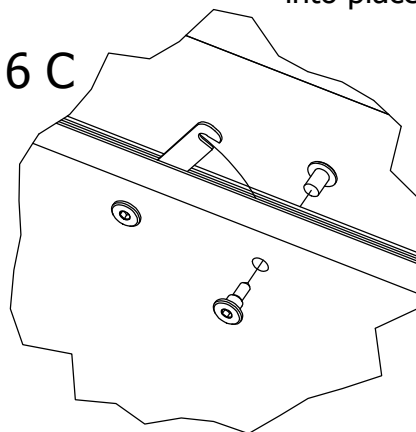
4x Nut and Bolt sets



6B:
Put a second bolt in the second hole and let the bracket's open side fall onto the bolt. Then screw a nut into place.

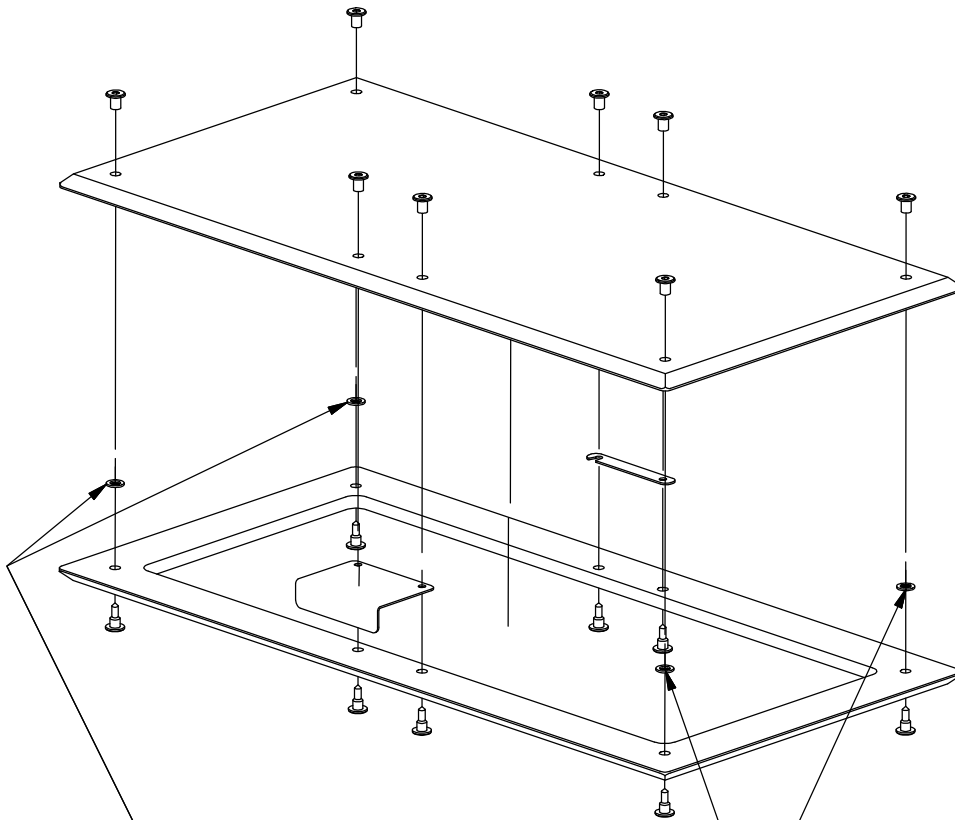


6 C



NOTE: At this point all bolts should be firmly tightened with a wrench. Tighten the bolts before proceeding.

STEP 7

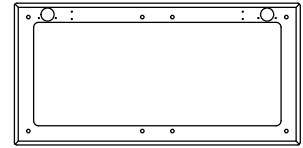


Note the corner locations of the four nylon spacer washers. These can be captured from below with a bolt to make assembly easier.

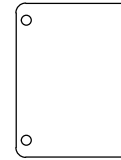
Build the lid sandwich.

You will need:

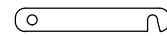
1x 30 in. window panel with hinge mortises



1x Lid handle



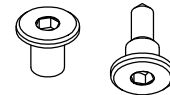
1x 2-hole spacer



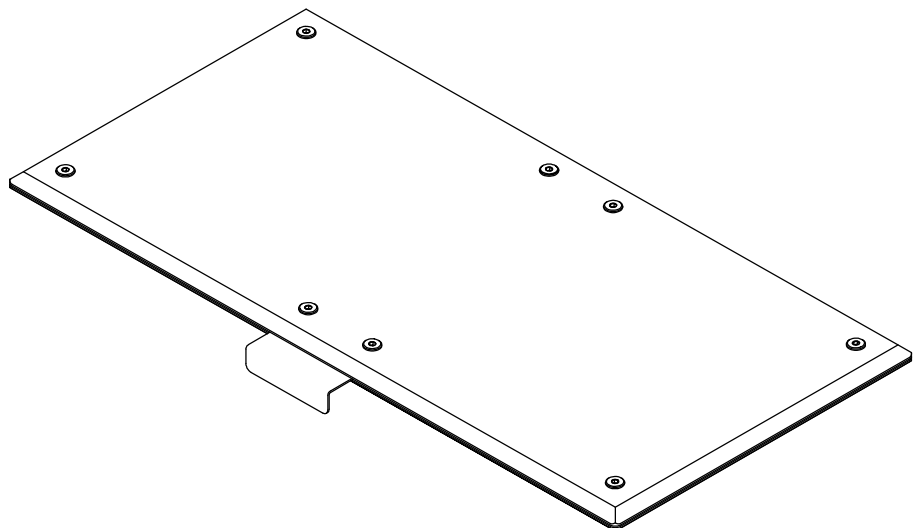
4x spacer washer



8x Nut and Bolt sets



NOTE: Firmly tighten all bolts on the lid sandwich with a wrench before proceeding.



STEP 8

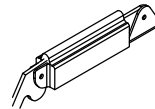
Attach the hinges and hinge arresters to the lid. The locations for these are indicated by small holes on the inside 30 in. window mortise panel.

You will need the lid from step 7 as well as:

2x Hinges



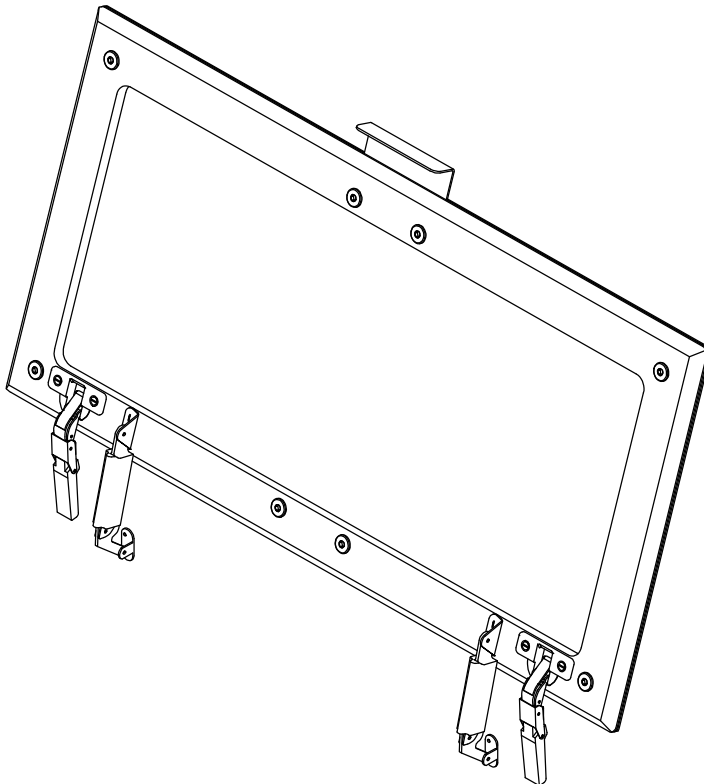
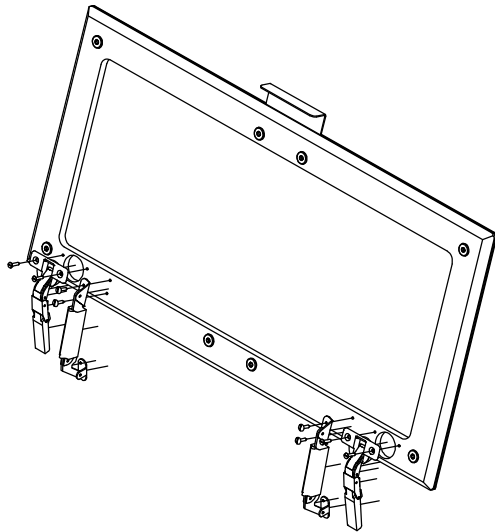
2x Hinge arresters



4x #6 x $\frac{1}{2}$ " Pan Head Screws for Lid Arrester



4x #6 Wood Screws for Hinges



STEP 9

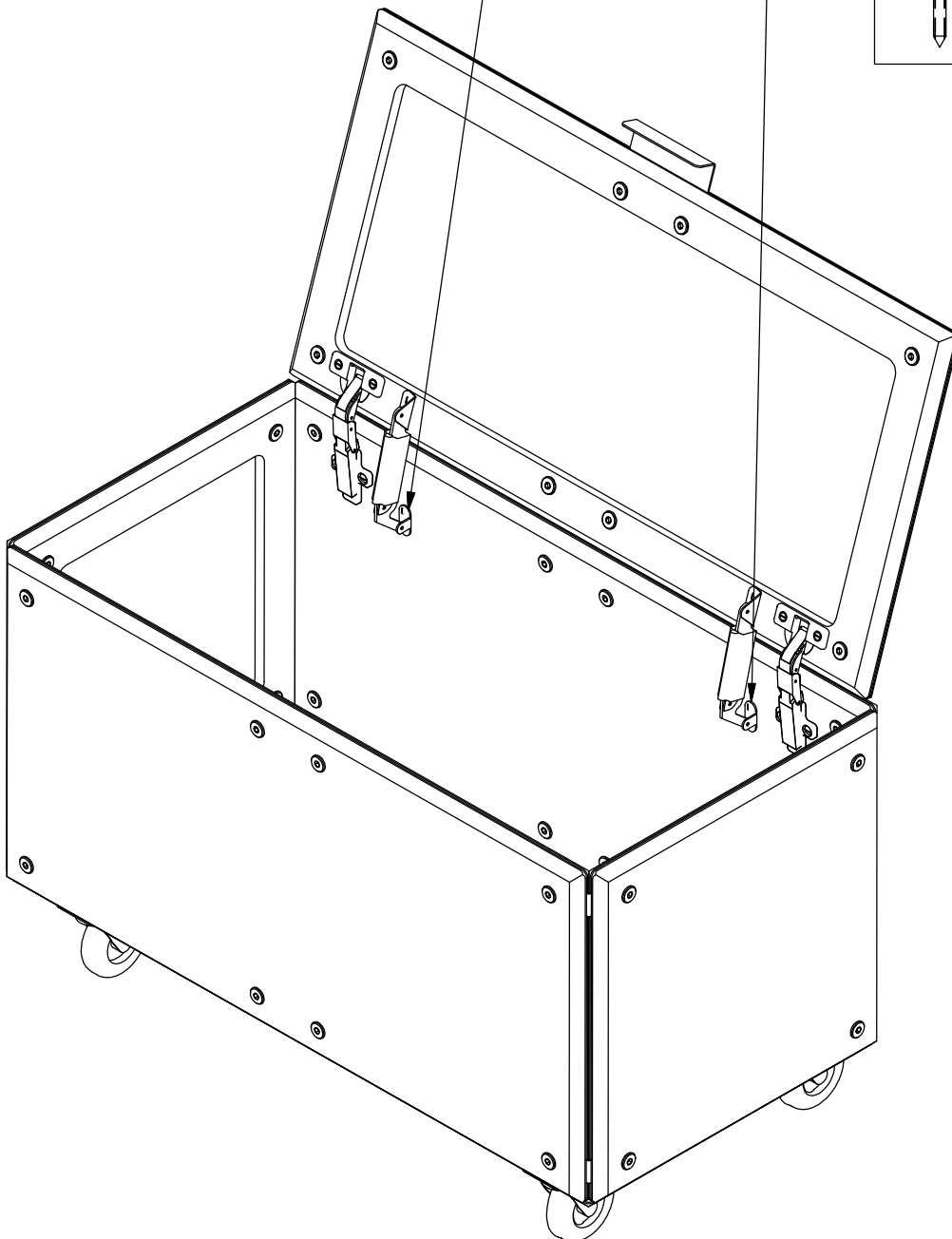
Attach the lid to the chest via the hinge mounts and then screw the hinge arresters to the inside of the chest where you made pencil marks before beginning assembly.

You will need the lid with hinges from step 8 and the following:

4x #4 Wood Screws for Lid Arresters



Line up screws with pilot holes here and here.



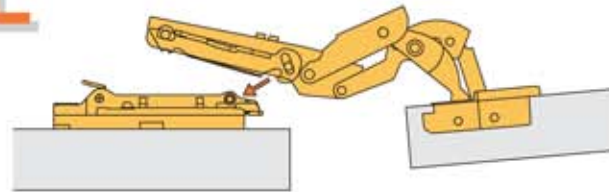
Series B

Assembly instructions

Assembly with DOMI® snap-on mounting plates

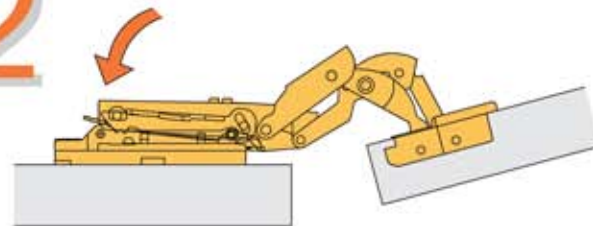
Locate the lugs on the mounting plate into the recesses beneath the arm.

1



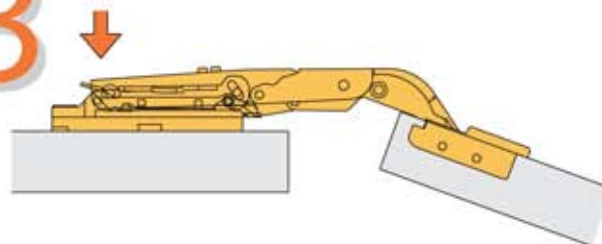
Gently rotate the door in the direction shown.

2



Then press lightly on the end of the arm to secure the catch.

3



To remove the hinge from the mounting plate, press gently in the places shown by the arrows.

4

