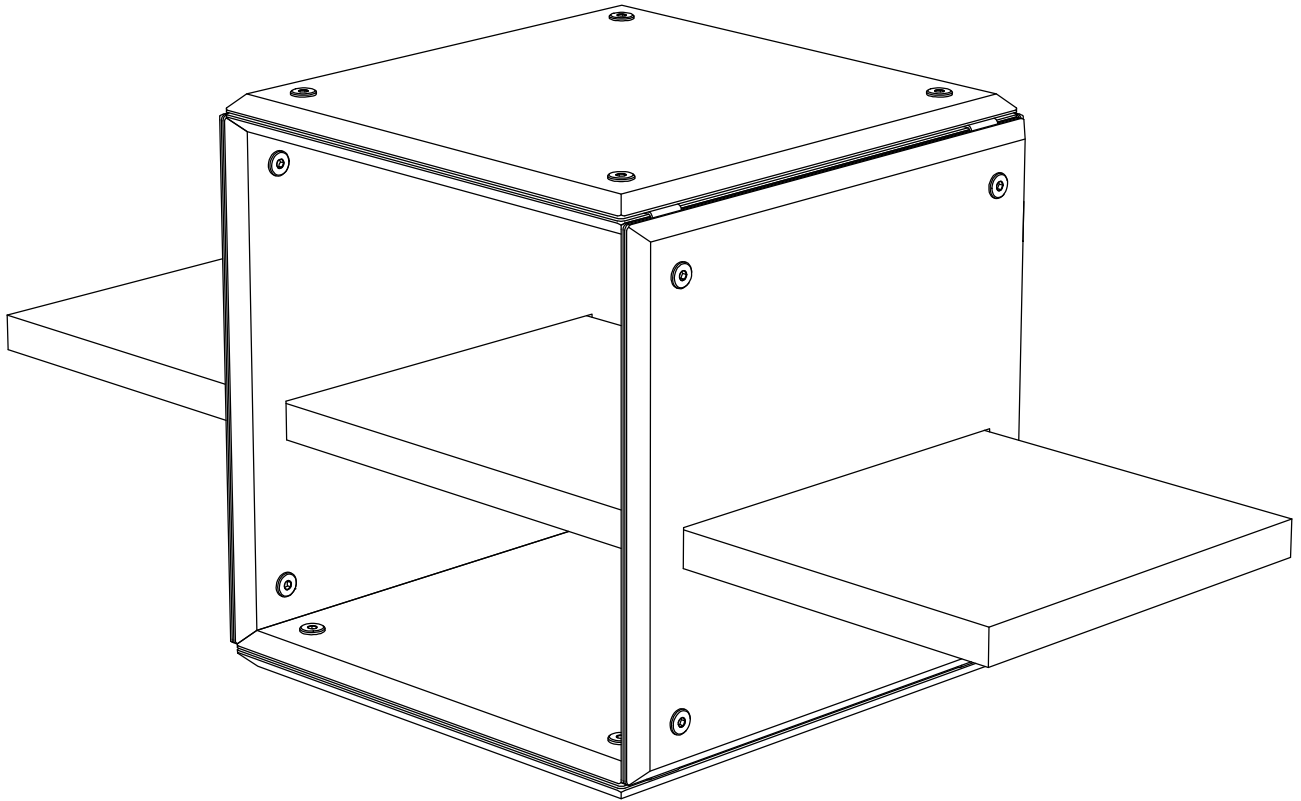


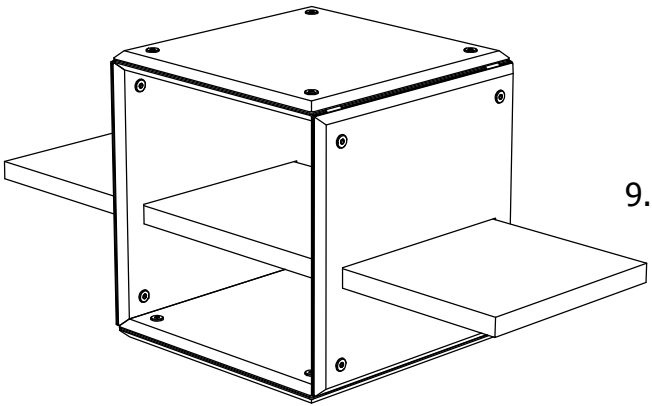
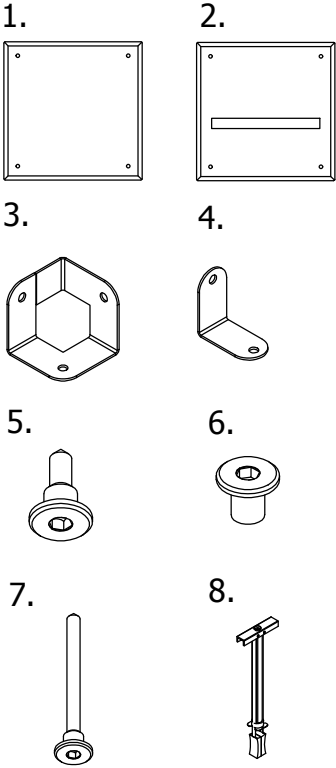
Riff System by Drift Studio



Single Cube Wall Shelf Assembly Instructions

Single Cube Wall Shelf

PARTS LIST		
ITEM	QTY	PART NUMBER
1	6	15 in. panel
2	4	15 in. panel with shelf slot
3	4	3-Hole Bracket
4	4	L-Bracket
5	18	Shoulder Bolt
6	18	Barrel Nut
7	2	Shoulder Bolt - Long
8	2	ZT-Toggle
9	1	36 in. Slot Shelf



Riff System by Drift Studio

Questions? Email: info@driftstudio.com

Riff Basics: This is a Riff System Cube...

It is constructed from sandwiches which are assembled from panels, brackets, nuts and bolts (Fig. A). Riff system sandwiches can be configured in countless ways by following a few simple rules:

1st...

Brackets (and legs) are always sandwiched between two panels (Fig. A)

2nd...

All holes in Riff System panels eventually receive a bolt and nut. This is how multiple sandwiches are fastened together.

3rd...

Panels are always oriented back-to-back with the finished sides out so the bevels on each edge form a point. (Fig. B)
Sandwiches that are perpendicular to one another meet at the bevels. (Fig. C)



Fig. A

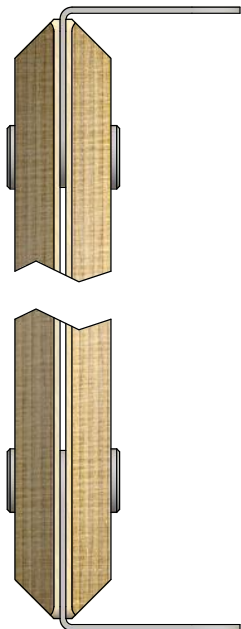


Fig. B

Finally...

Printed Riff System Panels can be mixed and matched, moved, arranged and rearranged. With countless configurations and combinations of graphics and colors the only limit is your imagination and the possibilities are endless...

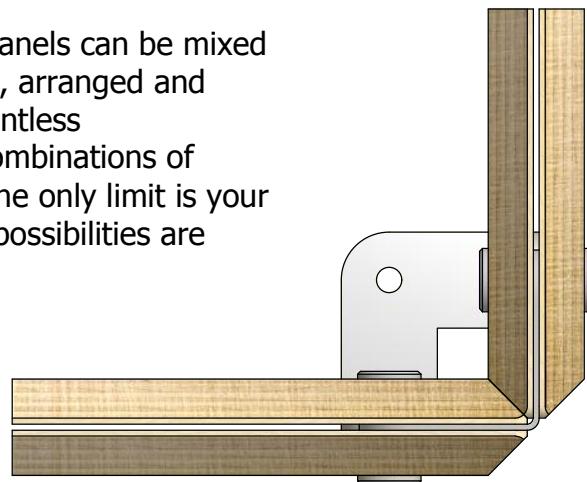


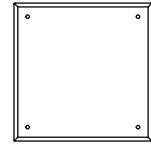
Fig. C

STEP 1

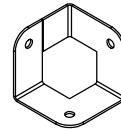
Build the base sandwich.

You will need:

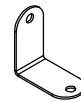
2x 15 in. panel



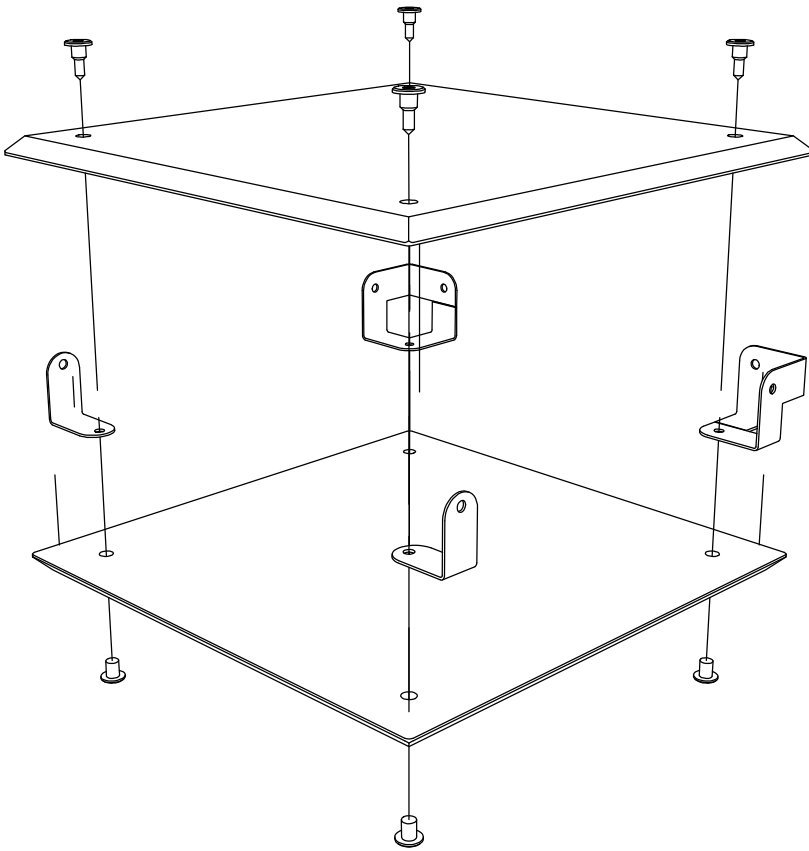
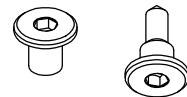
2x Three-hole brackets



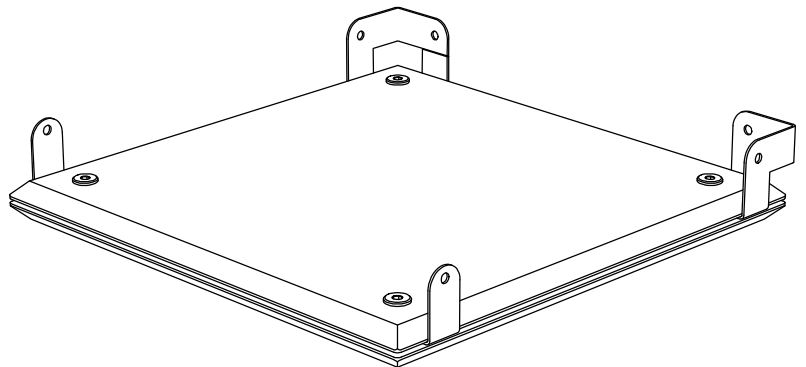
2x L-brackets



4x Nut and bolt sets



NOTE:
Bolts should not be fully tightened until all of the components of the cabinet are in place. Fully tightening the bolts with a wrench too early can make assembly more difficult.

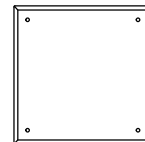


STEP 2

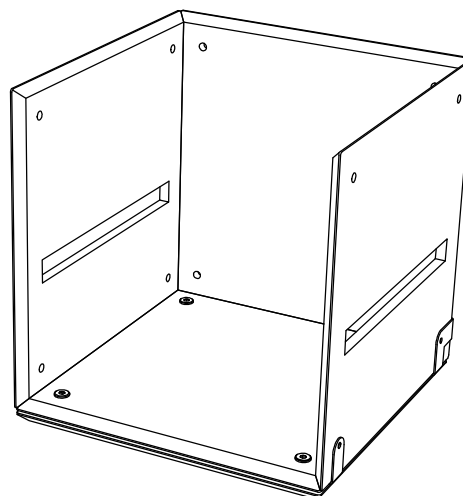
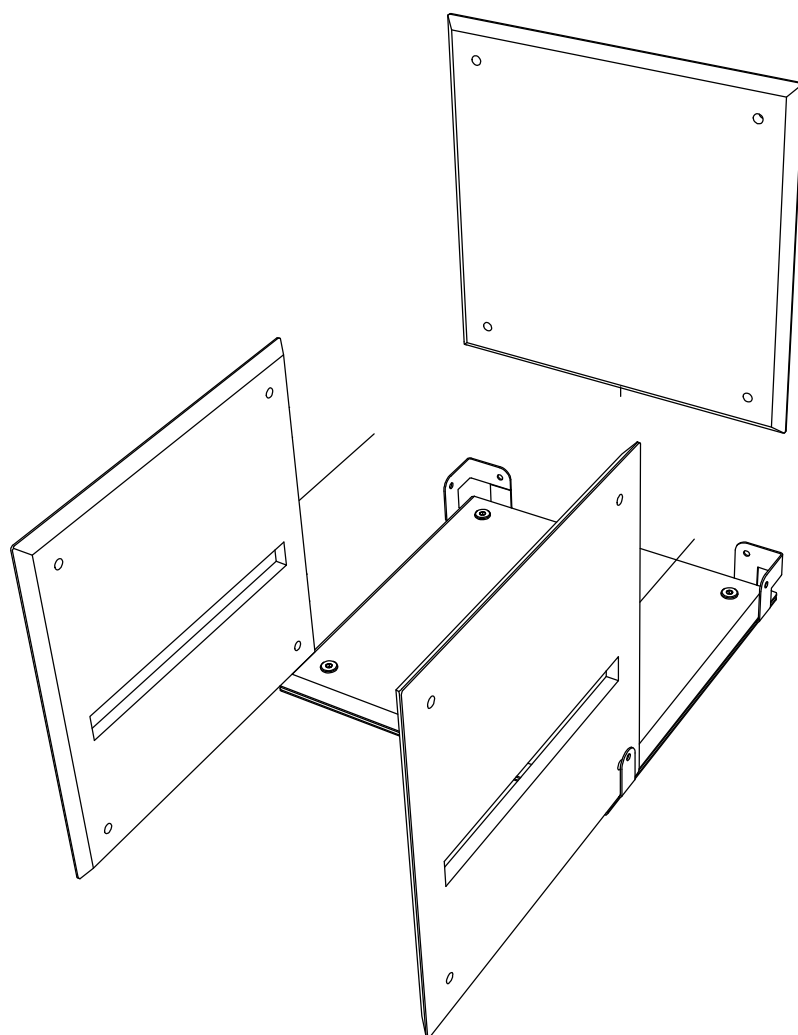
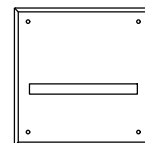
Place the inside panels in on the bottom sandwich.

You will need:

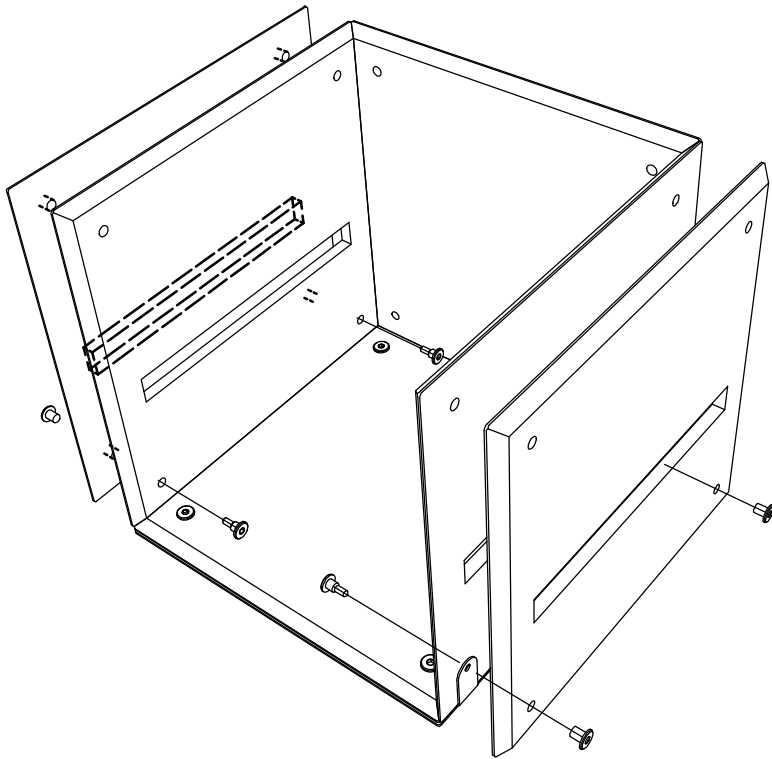
1x 15 in. panel



2x 15 in. panel with shelf slot



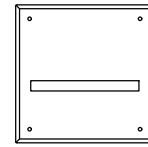
STEP 3



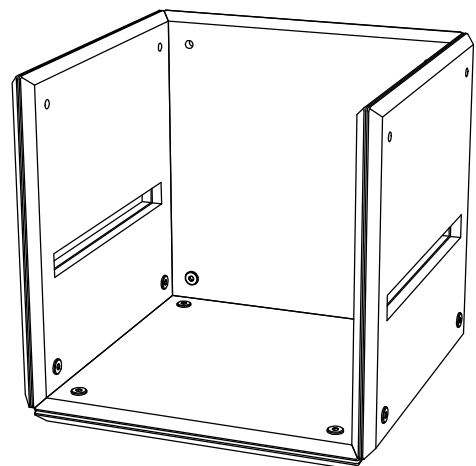
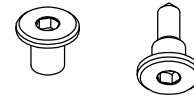
Attach the outer panels to the right and left sides of the cube by bolting the bottom set of holes.

You will need:

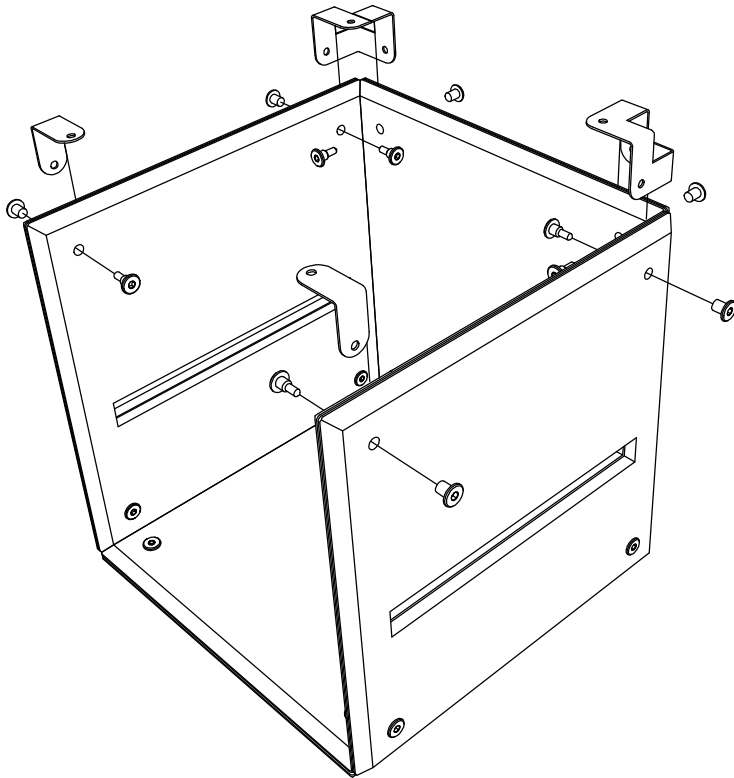
2x 15 in. panel with shelf slot



4x Nut and Bolt sets



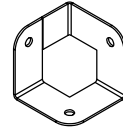
STEP 4



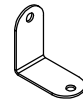
Attach the remainder of the brackets and bolt the top holes of the right and left side sandwiches.

You will need:

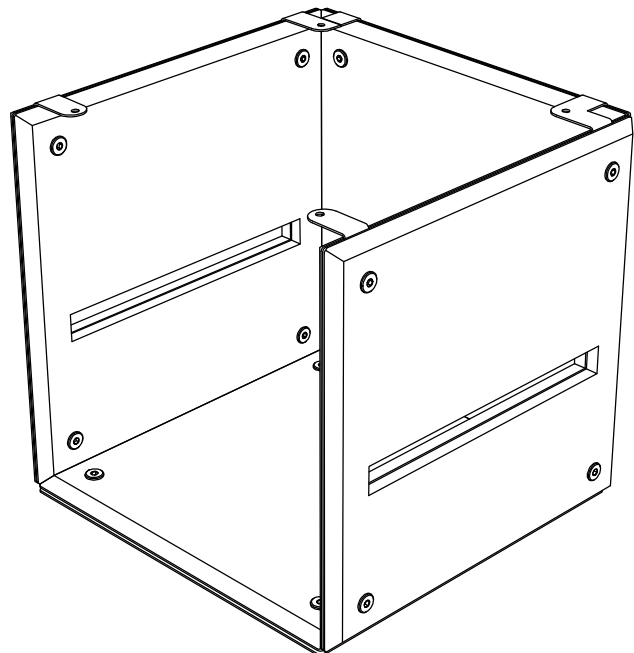
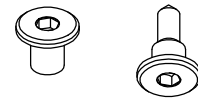
2x 3 hole bracket



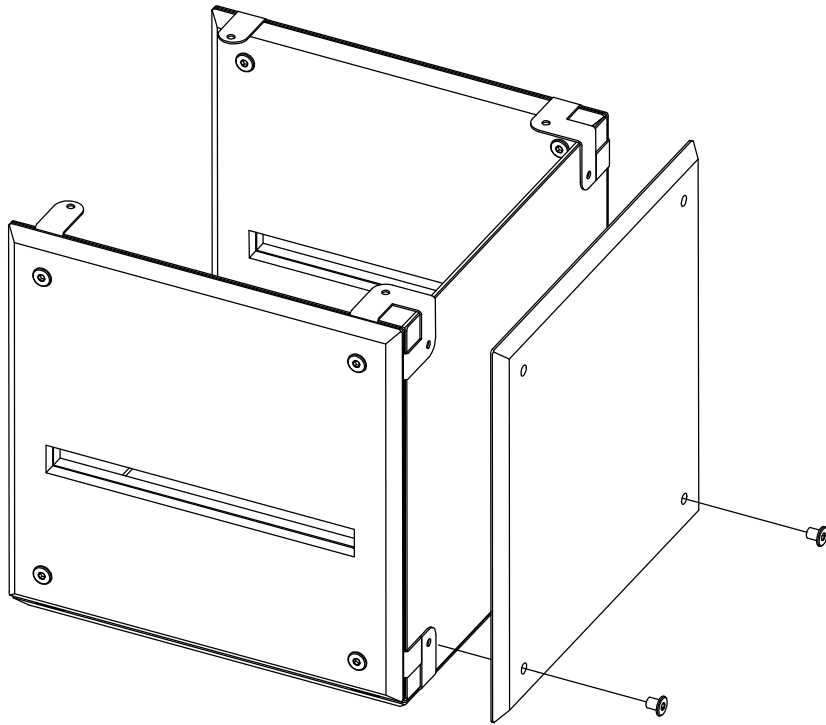
2x L bracket



4x Nut and Bolt sets



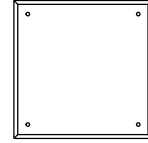
STEP 5



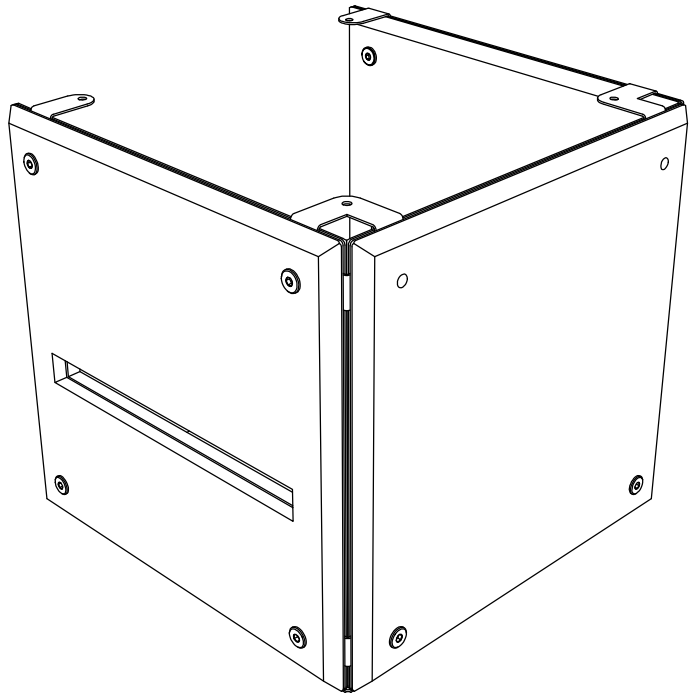
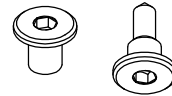
Attach the back panel with the bottom two bolts finishing the back sandwich but leaving the top bolt holes empty.

You will need:

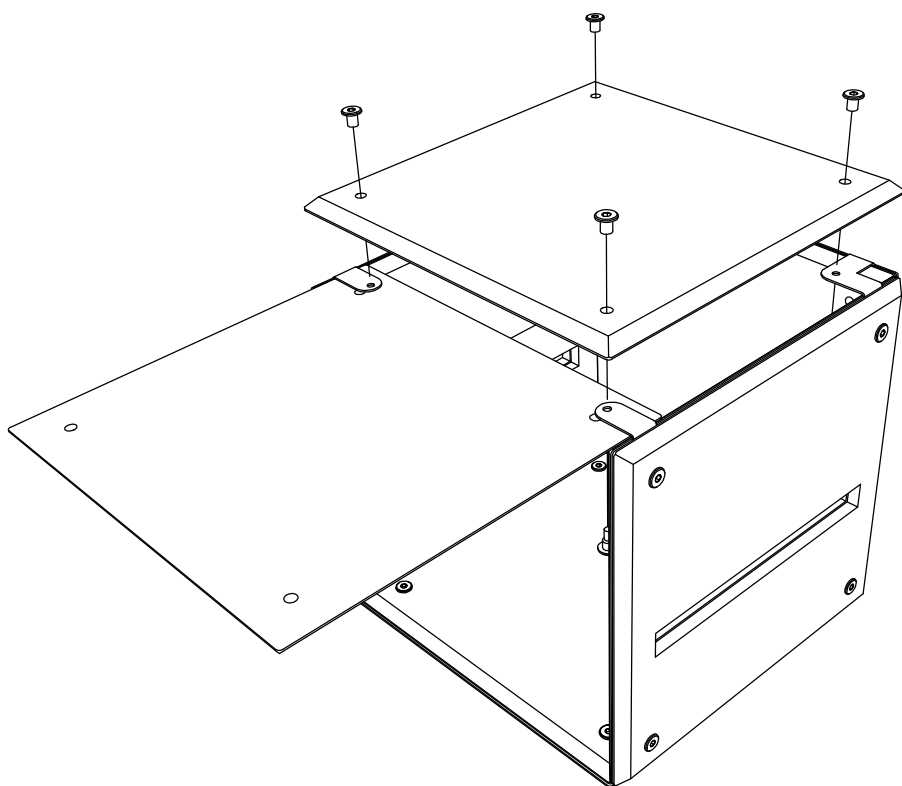
1x 15 in. panels



2x Nut and Bolt sets



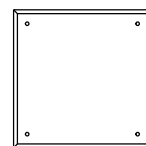
STEP 6



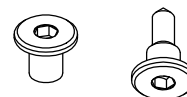
Attach the top sandwich.

You will need:

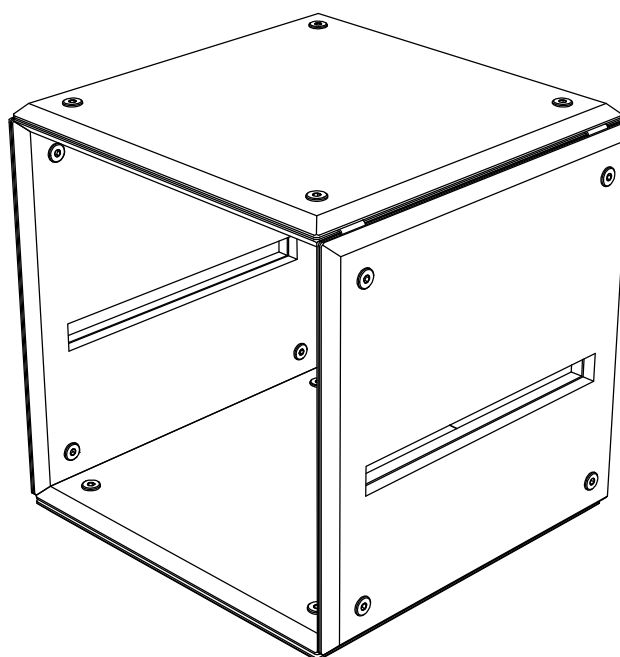
2x 15 in. panels



4x Nut and Bolt sets

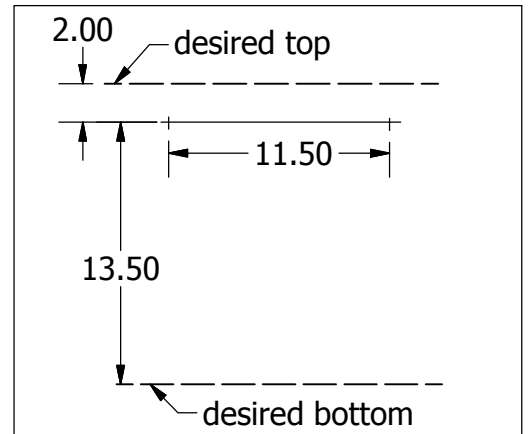


NOTE:
At this point, and before proceeding, all bolts should be fully tightened. Tighten all of the bolts on the cabinet with a wrench to firm but not excessive pressure.

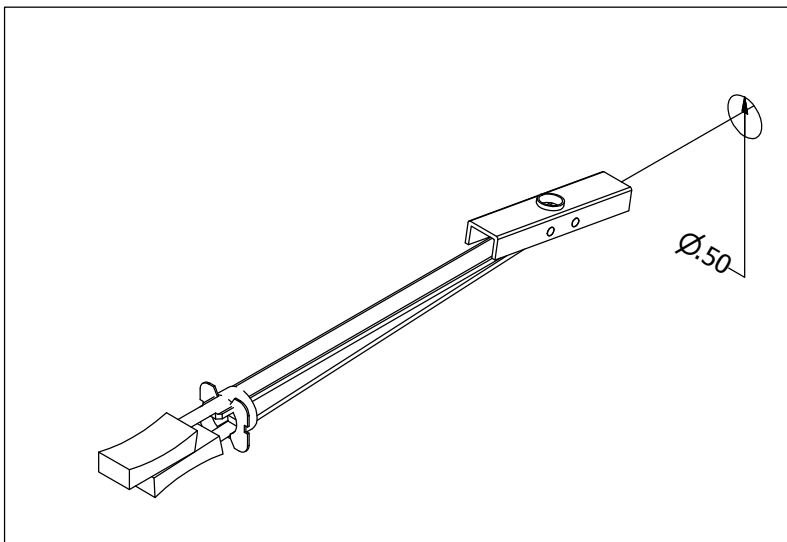


Mounting a Riff System Cube with Zip-Toggles

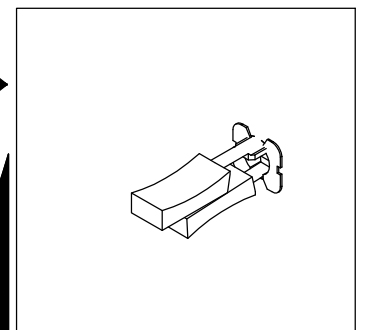
To prepare a cube for wall mount using zip toggles, begin by drawing a level line 2" below the desired top or 13 1/2" above the desired bottom of your cube and make two tic marks 11 1/2" apart on the level line. Before proceeding, drill two small exploratory holes at your tic marks (1/16" or less) to be sure that your hole locations will not hit a stud. Follow the next few steps to place Zip-Toggles in the wall.



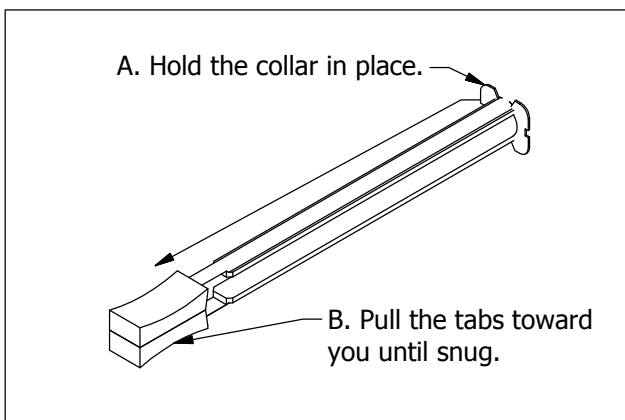
1. Drill a 1/2" hole as accurately as possible at each of your pencil marks.



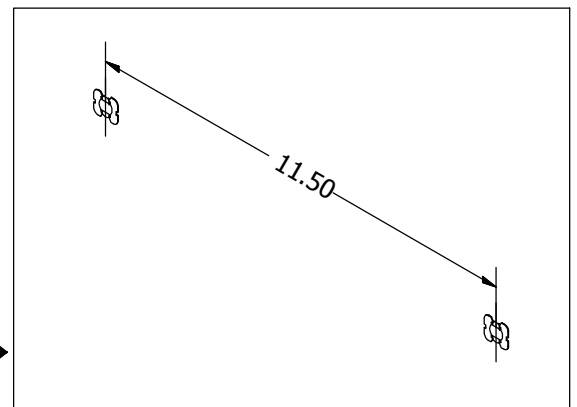
2. Insert a Zip-Toggle into each hole as illustrated.



3. Make sure the collar of each Zip-Toggle is snug in each hole.



4. Carefully and slowly pull the Zip-Toggle towards you keeping the collar in the hole until the toggle is engaged.



5. Break the tabs off at the wall. You now have two toggles spaced 11 1/2" apart ready to mount your cube.

STEP 6

Mount the cube to the wall using the installed zip toggles from the previous page and the long shoulder bolts. We recommend a second person to help hold the cube in place while threading the bolts into place. Slide the shelf into the cube and enjoy.

