

Caster Installation

1. Carefully roll your chest onto its lid.

2. Locate the groups of holes in each corner of the bottom panel.

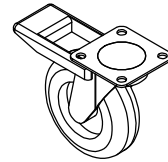
3. Align a caster with a group of holes.

4. Place a screw in each hole and tighten each screw with a screwdriver.

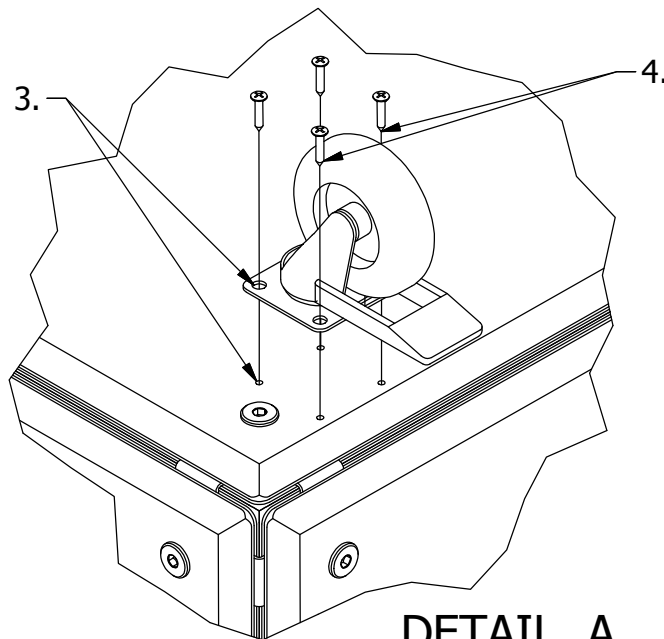
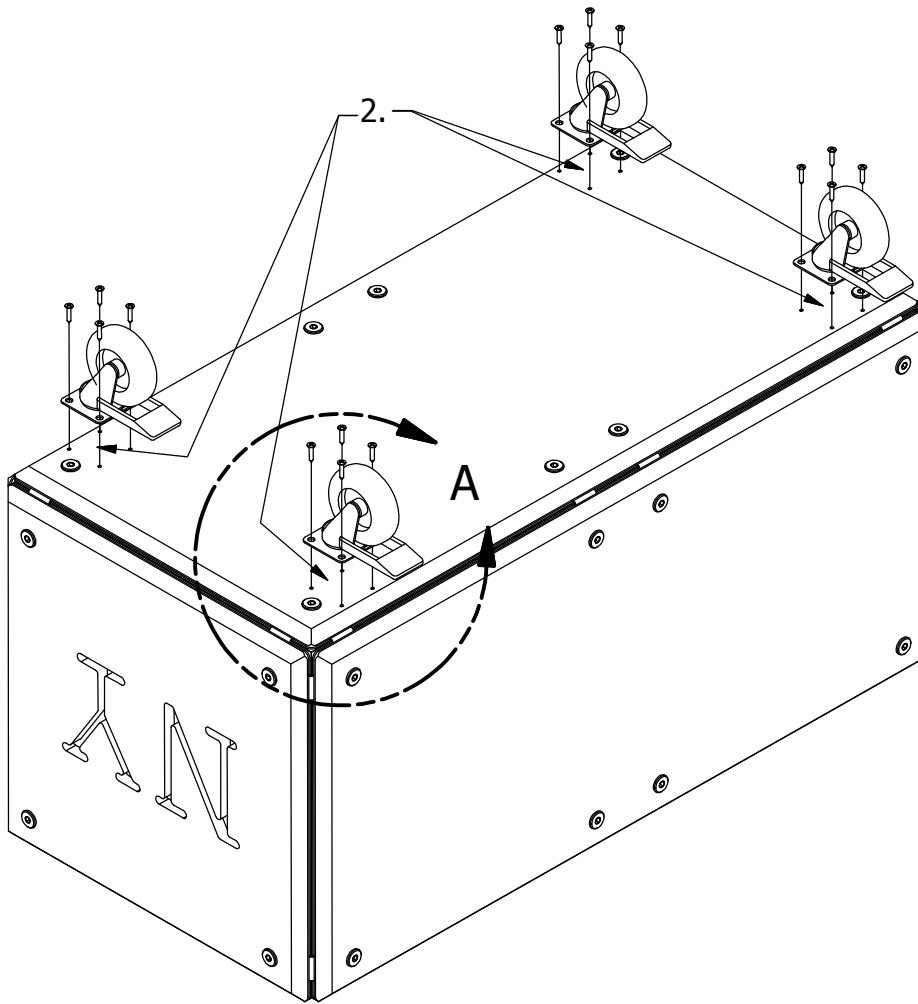
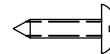
Each screw needs only firm pressure, do not over-tighten the screws.

You will need:

4x Casters



16x #8 x 1/2" Pan Head Wood Screws



DETAIL A